



CGU Indoor model



CGU Outdoor model

Economical hot air generator delivered ready to operate for all applications of duct air distribution and / or fresh air intake

USE

Independent gas fired air heaters for heating industrial and tertiary premises.

Designed for duct air distribution and/or fresh air intake/recovery air.

Outdoor mounting is possible.

Standard model pre-set for Lacq natural gas and a kit is included for propane and Groningue natural gas supply (delivered inside the unit).

Equipped with a safety device which cuts the gas supply to the burner if the flame extinguishes or if there is an obstruction in the combustion circuit.

RANGE

6 models from 25 to 105 KW and from 1820 to 8750 m³/h, from 0 to 200 Pa or 200 to 450 Pa of available pressure

DESCRIPTION

Casing in enamelled RAL 7024 (dark grey).

Direct exchange stainless firebox with double superheating protection and permanent control of discharge temperature.

Combustion chamber in stainless steel, without flame contact: NO ALTERATION

Heat exchanger in stainless steel : EFFICIENCY 92%

Discharge temperature permanent control : MORE COMFORT

Forced draught sealed combustion circuit controlled by differential thermostat with fan cooling.

A single electronic card commands, controls and synchronises all the air heater devices.

The fan box, mounted inside the air heater, is equipped with a 15 mm thick expanded polypropylene phonic and thermal insulation.

Centrifugal fan with variable diameter drive pulley in the standard version.

A COMPLETE RANGE OF ACCESSORIES

Remote control box with integral thermostat, simple or programmable setting, 1 to 2 stages, with integral remote resetting.

Additional box for the remote management of 4 air heaters .

Wall support

Horizontal or vertical suction, concentric or bi-tube, stainless

steel tubes and elbows fitted with silicon gaskets.

Kit to convert to Groningue natural gas (L) and propane gas included.

Kit with additional vertical dampers

Filter

Motorized register

TECHNICAL CHARACTERISTICS

DESCRIPTION			TYPE					
			Public buildings		Industrial premises			
			CGU 25	CGU 35	CGU 45	CGU 65	CGU 85	CGU 105
Heating capacity	kW	25,4	33,8	46,3	65,0	85,0	104,7	
Useful thermal output	kW	23,0	30,5	41,7	58,6	76,6	94,3	
Minimal output	%	90,1	90,2	90,1	90,1	90,1	90,1	
Number of injectors	U	1	1	1	2	2	4	
Gas consumption At 15°C 1013 mba	natural gas (H) G20 (1)	Nm ³ /h	2,55	3,39	4,65	6,52	8,53	10,51
	natural gas (L) G25 (2)	Nm ³ /h	2,96	3,94	5,40	7,58	9,92	12,22
	propane gas G31 (3)	Nm ³ /h	0,98	1,30	1,78	2,50	3,27	4,03
	butane gas G30 (4)	Nm ³ /h	0,74	0,99	1,36	1,91	2,49	3,07
	gas connection		1/2" BSP			3/4" BSP		
Operating limit		-15°C / +40°C 70 % RH						
Temperature rise	°K	37	31	30	30	29	32	
Number of fans	U	1	1	1	2	2	2	
Air flow	m ³ /h	1820	2920	4130	5900	7900	8750	
Available pressure range 50 Pa to 200 Pa	Mini/maxi fan speed	tr/mn	779 / 1026	779 / 1026	779 / 1026	752 / 919	799 / 976	799 / 976
	Electrical connection	IP40	230 V - 50 Hz (Phase + neutral + earth)			tri 400 V - 50 Hz - 3 N		
	Motor power input	kW	0,4	0,4	0,6	0,8	1,1	1,5
Available pressure range 200 Pa to 450 Pa	Mini/maxi fan speed	tr/mn	1181 / 1555	935 / 1231	935 / 1231	1022 / 1250	1141 / 1395	1141 / 1395
	Motor power input	IP40	230 V - 50 Hz - 1 N		tri 400 V - 50 Hz - 3 N			
	Motor power input	kW	0,6	0,8	1,1	1,5	2,2	3,0
Smoke extraction	Ø mm	100 female	100 female	100 female	100 male	100 male	100 male	
Combustive air introduction	Ø mm	100 female	100 female	100 female	150 male	150 male	150 male	
Weight of unit	kg	105	115	135	185	230	270	
ACCESSORIES	Discharge circular sleeve	mm	400	500	600	600	800	800
	Filter pressure drop	Pa	64	85	81	86	78	74

- (1) PCI methane G20
- (2) PCI methane G25
- (3) PCI propane G31
- (4) PCI butane G30

Selection example

You are looking for a 23 kW useful output gas fired air heater with air intake in the room and outside, equipped with filters and manual control registers, with a 200 Pa available pressure.

The model selected is the CGU 25 with a 200 to 450 Pa available pressure range (200 + 64 = 264 Pa).

Information to be supplied with the order

- Model selected and price code
- Type of premises (public building or industrial room)
- Type of gas (G20, G25, G30 or G31) and distribution pressure
- Selected available pressure range
- Options selected

INTERIOR MOUNTING

CGU		25	35	45	65	85	105
1 speed burner (1)	code	7023972	7023978	7023979	7023982	7023984	7023987
Interior mounting (2)		•	•	•	•	•	•
Max. available pressure 200 Pa		•	•	•	•	•	•
1 speed burner (1)	code	7023989	7023991	7023993	7023994	7023997	7023998
Interior mounting (2)		•	•	•	•	•	•
Max. available pressure 450 Pa		•	•	•	•	•	•
CGU		25-2	35-2	45-2	65-2	85-2	105-2
2-speed burner (1)	code	7023999	7024001	7024002	7024003	7024004	7024006
Interior mounting (2)		•	•	•	•	•	•
Max. available pressure 200 Pa		•	•	•	•	•	•
2-speed burner (1)	code	7024007	7024008	7024009	7024011	7024012	7024014
Interior mounting (2)		•	•	•	•	•	•
Max. available pressure 450 Pa		•	•	•	•	•	•

(1) G20 Lacq natural gas (natural gas G25 and propane G31 kits delivered with the unit)

(2) All the interior mounted fan boxes are installed with 15 mm thick expanded polypropylene

Accessories for all the interior CGU Series

CGU	25	35	45	65	85	105
Wall support	code 7024491					
	•	•	•	•	•	•
Double deflection dampers kit	code 7024493	7024501	7024502	7024503	7024504	7024505
	•	•	•	•	•	•
Discharge sleeve for circular duct	code 7024458	7024466	7024467	7024468	7024469	7024470
	•	•	•	•	•	•
Filter (3)	code 7024522	7024526	7024527	7024528	7024529	7024531
	•	•	•	•	•	•
Motorized register (4)	code 7024474	7024476	7024477	7024478	7024480	7024481
	•	•	•	•	•	•
Simultaneous control kit for 2 motorized registers (5)	code 7024483					
	•	•	•	•	•	•
Manual control for register	code 7024490					
	•	•	•	•	•	•









(3) G3 type 90% gravimetry EN 779

1 filter for each air entry (if fresh air/recovery air box, plan 2 filters)

(4) Mounting behind or underneath the fan box

(5) For making a fresh air/recovery air (behind/underneath) motorized register kit, plan : 2 motorized registers + simultaneous control kit

OPTIONS

Description		Allocation	code	
CONTROLS				
Remote control box, stop, heating, ventilation, With integral thermostat - single setting and 1 or 2 stages with integral remote resetting		HGU 15/25/35/45/65/85/105	7024383	•
Remote control box, stop, heating, ventilation, With programmable integral thermostat (weekly and daily) 1 or 2 stages with integral remote resetting		HGU 15/25/35/45/65/85/105	7024386	•
1 zone additional box, to be added to one single remote control for controlling simultaneously up to 4 air heaters		HGU 15/25/35/45/65/85/105	7024387	•
GAS ACCESSORIES				
Lacq natural gas expansion kit G20 300 mbar / 20 mbar		HGU 15/25	2736339	•
Lacq natural gas expansion kit G20 300 mbar / 20 mbar		HGU 35/45	7024305	•
Lacq natural gas expansion kit G20 300 mbar / 20 mbar		HGU 65/85/105	2736344	•
Groningue natural gas expansion kit G25 300 mbar / 25 mbar		HGU 15/25	2736345	•
Groningue natural gas expansion kit G25 300 mbar / 25 mbar		HGU 35/45	7024307	•
Groningue natural gas expansion kit G25 300 mbar / 25 mbar		HGU 65/85/105	2736350	•
Propane gas expansion kit G31 1,5 bar / 37 mbar		HGU 15/25/35/45	2736351	•
Propane gas expansion kit G31 1,5 bar / 37 mbar		HGU 65/85/105	2736354	•
Tubogaz nf flexible connection - GN.N/PROPANE Diam 1/2" length 0.70 m for public buildings		HGU 15/25/35	0122451	•
Tubogaz nf flexible connection - GN.N/PROPANE Diam 1/2" length 0.75 m for industrial premises		HGU 15/25/35/45	0122452	•
Tubogaz nf flexible connection - GN.N/PROPANE Diam 1/2" length 0.75 m for industrial premises		HGU 65/85/105	0122453	•

MOUNTING ACCESSORIES

Marks	Designation		Allocation	code	
A-B-E	Wall bi-tube suction kit 100 - 100 Composed of 2 tubes of 1 m and 2 terminals		HGU 15/25/35/45	7024308	•
C	Wall coaxial suction kit 100-100 mm			7024300	•
L	Roof coaxial suction kit 100-100 mm			7024301	•
A-B-G-F	Composed of 2 tubes of 1 m and 2 terminals Wall bi-tube suction kit 100-150 mm		HGU 65/85/105	7024309	•
D-O	Wall coaxial suction kit 100-150 M/F With 100mm connector diam. : 100FF			7024302	•
N-P	Roof coaxial suction kit diam. 100-150 M/M With 200 mm connector diam. 150 FF			7024303	•
ACCESSORIES					
A	Tube 1000 mm diam. 100 MF		Smoke extractions HGU 15/25/35/45/65/85/105 & combustion air intake HGU 15/25/35/45	7024315	•
A1	Tube 500 mm diam. 100 MF			7024319	•
H	Elbow 90° diam. 100 MF			7024320	•
U	Elbow 45° diam. 100 MF			7024321	•
S	Elbow 90° diam. 100 FF			7024322	•
E	Introduction Wall terminal diam. 100			7024325	•
B	Introduction Wall terminal diam. 100			7024329	•
T	Roof extraction terminal (covered) diam. 100			7024331	•
F	Tube 1000 mm diam. 150 MF			7024335	•
F1	Tube 500 mm diam. 150 MF			7024339	•
R	Tube 150 mm diam. 150 MF		Combustion air intake HGU 65/85/105	7024341	•
I	Elbow 90° diam. 150 MF			7024343	•
Q	Elbow 45° diam. 150 MF			7024344	•
G	Intake Wall terminal diam. 150			7024348	•
V	Lead flap		Roof-mounted coaxial suction terminal	0595107	•
W	Aluminium flashing			0595105	•

The pressure drop of a 90° elbow equals that of a 1m long tube

EXTERIOR MOUNTING

CGU		25 E	35 E	45 E	65 E	85 E	105 E
1 speed burner (1)	code	7024017	7024018	7024019	7024021	7024022	7024023
Interior mounting (2)		•	•	•	•	•	•
Max. available pressure 200 Pa		•	•	•	•	•	•
CGU		25 E	35 E	45 E	65 E	85 E	105 E
1 speed burner (1)	code	7025297	7025298	7025299	7025300	7025301	7025302
Interior mounting (2)		•	•	•	•	•	•
Max. available pressure 450 Pa		•	•	•	•	•	•
CGU		25-2 E	35-2 E	45-2 E	65-2 E	85-2 E	105-2 E
2-speed burner (1)	code	7024025	7024026	7024027	7024028	7024029	7024030
Interior mounting (2)		•	•	•	•	•	•
Max. available pressure 200 Pa		•	•	•	•	•	•
CGU		25-2 E	35-2 E	45-2 E	65-2 E	85-2 E	105-2 E
2-speed burner (1)	code	7025304	7025305	7025306	7025307	7025308	7025309
Interior mounting (2)		•	•	•	•	•	•
Max. available pressure 450 Pa		•	•	•	•	•	•

(1) G20 Lacq natural gas (natural gas G25 and propane G31 kits delivered with the unit)

(2) Fitted with roof and chimney

Accessories for all the exterior CGU Series

CGU	25	35	45	65	85	105
Wall support	code 7024491					
	•	•	•	•	•	•
Double deflection dampers kit	code 7024493	7024501	7024502	7024503	7024504	7024505
	•	•	•	•	•	•
Rain-guard frame with screen at intake	code 7024507	7024517	7024518	7024519	7024520	7024521
	•	•	•	•	•	•
Filter (3)	code 7024522	7024526	7024527	7024528	7024529	7024531
	•	•	•	•	•	•
Motorized register (4)	code 7024474	7024476	7024477	7024478	7024480	7024481
	•	•	•	•	•	•
Simultaneous control kit for 2 motorized registers (5)	code 7024483					
	•	•	•	•	•	•
Manual control for register	code 7024490					
	•	•	•	•	•	•

(3) G3 type 90% gravimetry EN 779

1 filter for each air entry (if fresh air/recovery air box, plan 2 filters)

(4) Mounting behind or underneath the fan box

(5) For making a fresh air/recovery air (behind/underneath) motorized register kit, plan : 2 motorized registers + simultaneous control kit

DIMENSIONS

EXTERIOR MOUNTING

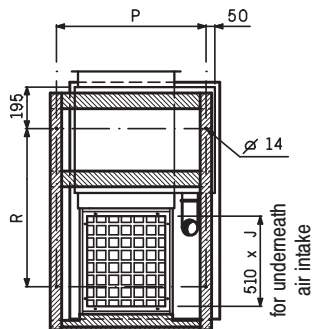


FIG. 1

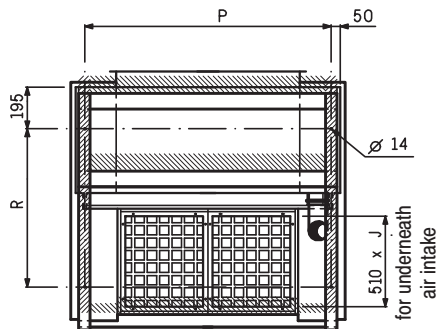
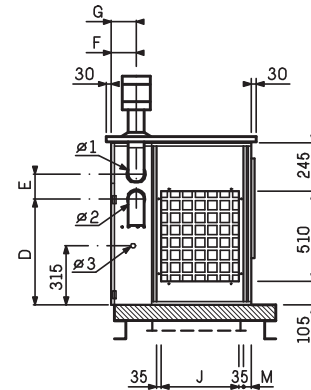
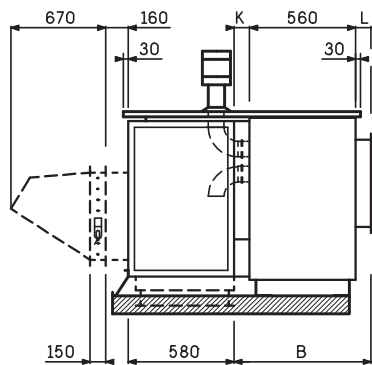
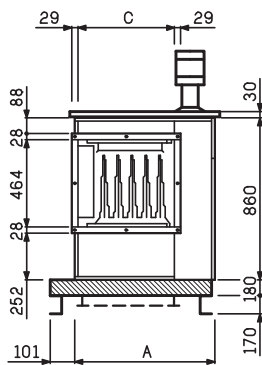
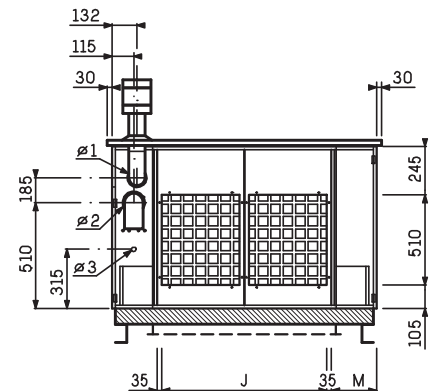
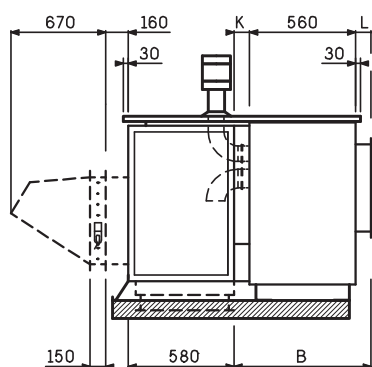
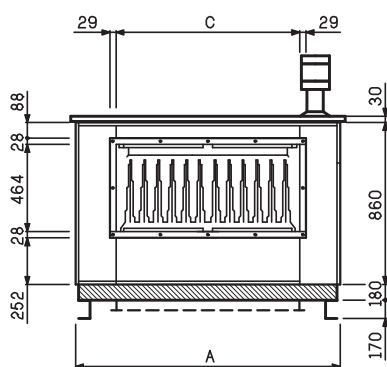


FIG. 2



CGU	FIG.	Nb of fans	A	B	C	D	E	F	G	J	K	L	M	P	R	Ø 1	Ø 2	Ø 3	Mass kg
25	1	1	665	745	435	563	140	132	132	335	85	100	35	685	1042	100 female	100 female	1/2"	135
35	1	1	745	745	515	563	140	132	132	415	85	100	35	766	1042	100 female	100 female	1/2"	150
45	1	1	925	745	695	555	140	132	132	595	85	100	35	946	1042	100 female	100 female	1/2"	175
65	1	2	1170	793	940	510	185	115	132	840	133	100	35	1191	1092	100 male	100 male	3/4"	215
85	2	2	1720	793	1300	-	-	-	-	1200	133	100	225	1679	1092	100 male	100 male	3/4"	280
105	2	2	1960	793	1540	-	-	-	-	1440	133	100	225	1860	1095	100 male	100 male	3/4"	310