

COMFORT FOR ROOMS

Hotels

Residences

Rooms

Hospitals

Private Clinics



Coadis Comfort

COMFORT GUARANTEED



AIR TECHNOLOGIES

COADIS COMFORT THE AIR CONDITIONING SOLUTION ESPECIALLY DESIGNED FOR HOTELS AND HOSPITALS.

Especially designed for hotel and health applications (hospitals, private clinics, residences for old people...) Coadis Comfort is an air-conditioning terminal unit with Coanda effect. Compact and discreet, it integrates an exclusive "all in one" air diffusion system adapted to false ceiling installation in room entry corridor, while preserving surrounding aesthetics.

- False ceiling installation saving ground surface.
- Easy installation, near the cable chase.
- Aesthetic air discharge and air return grilles (white, RAL 9010).
- The Coanda effect and a double deflection air grille generate a comfort zone.
- A wide range of controls and low fuel consumption motors guarantee energy savings and individual comfort.



Coadis
Comfort

GLOBAL AIR-CONDITIONING CONCEPT ILLUSTRATING THE CIAT EXPERTISE.



Global satisfaction guarantee:

- final users by quiet and optimal air diffusion.
- property developers by high level performances, reduced consumption and easy maintenance.
- installers by an "all in one" system easy to commission.
- building renters by an aesthetic solution blending with all decors.
- Design offices by a reliable and simple solution.

2 models are available:



LY: air diffusion through circular spigots in a diffusion plenum.



LI: air diffusion through a rectangular sleeve straight to the diffusion grille.



INNOVATIVE SOLUTIONS FOR YOUR COMFORT.

Coadis
Comfort

TARGET: TOTAL CONTROL OVER HYGIENE.

COADIS COMFORT ensures perfect heating and cooling in hotel and hospital rooms respecting air purity.

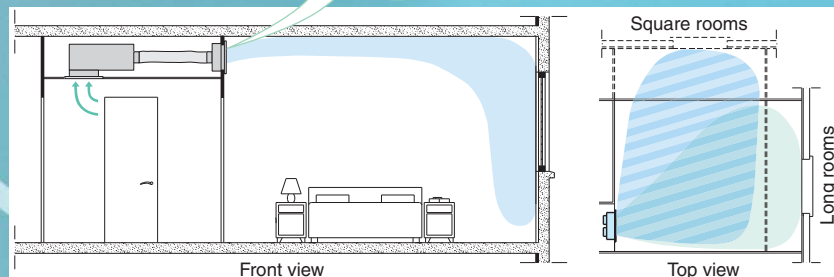
Thermal comfort

- Homogenous temperatures in the comfort zone.
- A terminal unit fitted with large diameter impellers (160 mm) that guarantees lasting performances.
- 70 years of CIAT expertise.

Aeraulic comfort

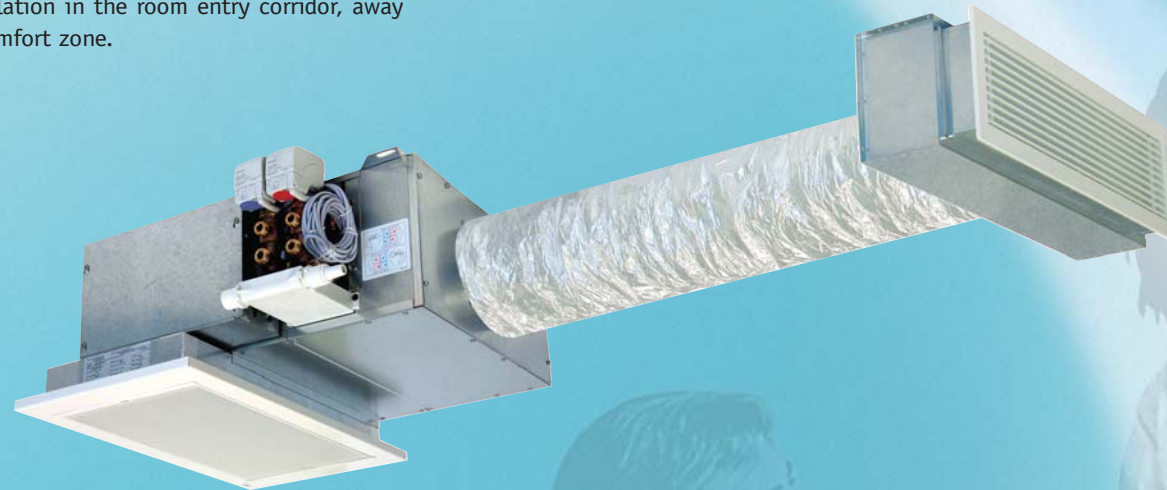
The diffusion grille of the COADIS COMFORT models was selected to obtain an optimal air diffusion in the comfort zone.

- Coanda effect air diffusion thanks to upwards tilted horizontal fins.
- Adjustment of the vertical shutters to adapt the air jet diffusion to the room dimensions (assured comfort even in square rooms).
- Air speed controlled to avoid any draughts.



Acoustic comfort

- A very quiet terminal unit fitted with isophonic duct and discharge plenum (20 dBA acoustic levels at low speed).
- An installation in the room entry corridor, away from the comfort zone.

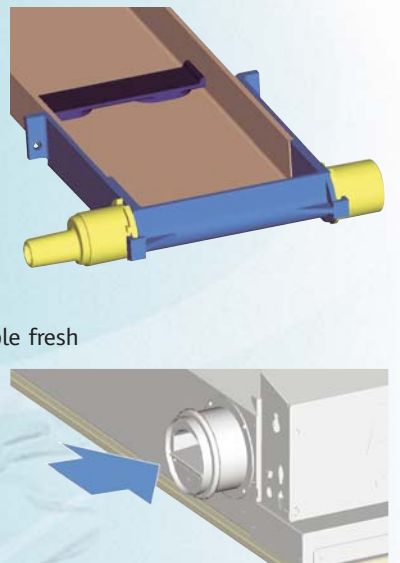


- A terminal unit ducted to air intake, with a G3 class integrated filter.
- No bulk air recovery in the false ceiling (without dust and moisture recovery).
- A unit installed in room entry corridors, via false-ceilings, excluding foul air recovery from bathrooms.

■ The condensates drainage is adapted to a "dry" drain pan without water retention to avoid bacteria proliferation (a smooth polymeric mono-block drain pan).

■ 2 positions for fresh and hygienic air inlet. Either at the back of the unit or directly on the diffusion plenum.

■ A self-adjustable fresh air module available for different flow rates.



DESIGNED,
FOR
SIMPLIFIED MAINTENANCE

A COMPLETE PRODUCT FOR
SIMPLIFIED INSTALLATION.

Technological concept in "L"

The standard COADIS COMFORT integrates a plenum with its air intake grille : in " L " technology.

- Complete and ready to mount concept, avoiding ducting work at air intake.
- Integrated recovery grille allowing a perfect installation in false ceiling tiles.

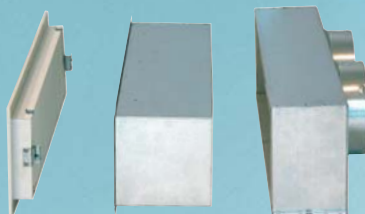
■ Perfect adjustment to wall crossing thickness by a telescopic discharge plenum.

- One diffusion kit, one supplier: CIAT.

■ The kits are easy to install and include:

LY model:
- flexible duct,
- discharge plenum,
- aluminium diffusion grille (white, RAL 9010).

LI model:
- back frame,
- aluminium air diffusion grille (white, RAL 9010).



Coadis Range Comfort

- 2 models: LY and LI
- 3 sizes: 235/11N, 235/22N and 235/33N
- range fitted with a factory 3 pre-wired motor

(Ref.) R#	(m ³ /h) Qa	(kW) Pt	(kW) Ps	(kW) P 2T	(kW) P 4T	(W elec. coil) Re	(NR) Lp	(W/mot) Pa	(Length x Width x Height) L x W x H Mass (kg)	
235/11N	GV	340	1.45	1.33	2.10	1.43	600	32	44	645 x 595 x 305
	MV	260	1.23	1.10	1.74	1.28	or	26	39	
	PV	120	0.69	0.58	0.91	0.85	1200	<15	30	22
235/22N	GV	490	2.15	1.94	3.20	2.65	900	31	62	645 x 895 x 305
	MV	410	1.90	1.69	2.80	2.42	or	26	57	
	PV	230	1.23	1.05	1.74	1.74	1800	<15	46	30
235/33N	GV	710	3.54	3.06	4.84	4.24	1200	32	79	645 x 1195 x 305
	MV	585	3.11	2.63	4.17	3.85	or 1800	27	66	
	PV	375	2.24	1.82	2.90	3.01	or 2400	17	52	42

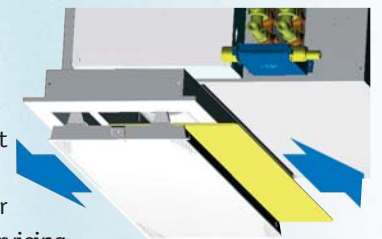
- Filter dismantling and cleaning do not require qualified personnel.

■ Front or backward filter withdrawal excluding servicing in the false ceiling.

■ Coil fitted with 40 mm hydraulic connection centres for leakproof quick connection to a 4 way-valve.

■ Raised drain pan for gravity condensate drainage without using a draining pump.

■ The largest metallic electrical box of the market adapted to accommodate most of the existing control schemes.



CIAT

CIAT INTERNATIONAL GROUP CLOSE TO ITS CUSTOMERS

Eight production plants, sales & marketing networks in over 70 countries:
we are close to our customers' expectations worldwide.

Production plants in the world



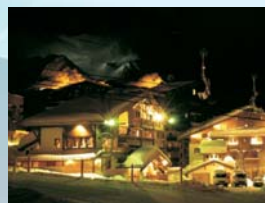
SOME CIAT REFERENCES:



Hotel de la Paix
Reims - France



Hospital
Debrecen - Hungary



"L'Oxalys" Chalet Hotel
Val Thorens - France



Hospital - Saint Tropez - France



"Marwar" Hotel
Jodhpur - India



CIAT participates in the certification programmes, always keeping in mind the quality and above board factors, in order to guarantee:

- the validity of its technical characteristics,
- a common comparison basis on the products through the Eurovent directory.



CIAT conforms with the CE marking, authorizing a free circulation of its units in all of the **European Union territory**. This marking means safety and protection for all end users.

**DO NOT HESITATE TO CONTACT US,
A TEAM OF EXPERTS IS AT YOUR DISPOSAL**



AIR TECHNOLOGIES Department

Avenue Jean Falconnier
B.P. 14
01350 Culoz
France

Tél. : +33 (0)4 79 42 42 70
Fax : +33 (0)4 79 42 42 14
info@ciat.com
www.ciat.com

Export Department

Avenue Jean Falconnier
B.P. 14
01350 Culoz
France

Tél. : +33 (0)4 79 42 42 20
Fax : +33 (0)4 79 42 42 12
info@ciat.com
www.ciat.com