



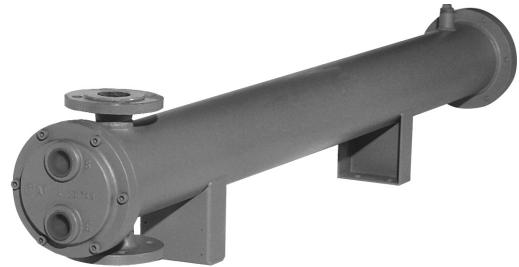
Tubular domestic hot water producers

*Outstanding reliability:
unequalled service life*

*Easy maintenance:
cleanable, straight tubes*

Low operating costs

Units in stock



FS

USE

Instantaneous and semi-instantaneous production of domestic hot water for use in residential buildings, hotels, boarding schools, healthcare facilities, sports facilities, industry, and more.

Heating circuit:

- maximum allowable water pressure (PS) = 10 bar eff. / 110°C

DHW circuit:

- maximum allowable DHW pressure (PS) = 10 bar eff. / 110°C
- Immediate flow rate of up to 16.8 m³/h

Units classified under Article 3.3 of Pressure Equipment Directive 97/23/EC

The easy-to-clean tubes, the availability of the units in stock and the competitive prices make these water producers ideal for cooling or heating many types of fluid (those compatible with the materials).

RANGE

Four standard models for four maximum DHW flow rates (65, 132, 214, 281 l/min.).

DESCRIPTION

Bundle of 304 stainless steel straight tubes.

Steel shell (heating circuit) on supports.

Corrosion-resistant cast-iron caps (DHW).

Nitrile O-rings.

ACCESSORIES

Glass wool and imitation leather insulating jacket.

Heating circuit counter-flanges, gaskets and bolts.

Buffer tank for domestic hot water.



Tubular domestic hot water producers

FS

SELECTION

Models	FS A 1600			FS B 1600				FS C 1600							FS 5 2000					
Water flow 55°C (l/min.)	42	55	65	74	97	116	132	146	159	172	183	194	204	214	224	233	241	254	266	281
Power (kW)	132	173	204	234	305	363	413	459	500	539	575	609	641	672	702	730	758	797	836	884
Prim. flow rate 90°C (m³/h)	3.8	5	5.9	6.7	8.8	10.4	11.8	13.2	14.4	15.5	16.5	17.5	18.4	19.3	20.2	21	21.8	22.9	24	25.3

Instantaneous production

HOUSING																				
No. of standard flats	10	17	23	30	50	70	90	110	130	150	170	190	210	230	250	270	290	320	350	390
No. of luxury flats	8	13	18	24	40	55	71	87	103	119	134	150	166	182	198	213	229	253	277	308
HOTELS																				
No. of standard rooms	6	10	13	17	29	40	52	63	75	86	97	109	120	132	143	155	166	183	200	223
No. of luxury rooms	4	7	10	13	21	29	38	46	54	63	71	79	87	96	104	112	121	133	146	162
No. of high-altitude rooms	3	5	7	10	16	23	29	35	42	48	55	61	68	74	80	87	93	103	112	125
SPORTS FACILITIES																				
No. of showers		5	7	10	18	25	33	41	49	57	65	73	81	90	98	106	114	126	139	156
HOSPITALS																				
No. of beds	12	22	31	41	70	100	130	160	191	221	252	283	314	346	377	408	440	487	535	598
RETIREMENT HOMES																				
No. of beds	29	50	70	93	158	224	291	359	427	495	564	633	702	772	842	912	982			

Semi-instantaneous production

Number of standard dwellings served based on buffer tank capacity

500 l	34	45	55	65	93	120	145	170												
750 l	45	58	70	81	112	140	168	194	220	246	271	296	321							
1000 l	58	72	84	97	130	161	190	218	246	273	299	325	351	376	402					
1500 l	83	100	115	129	167	202	234	265	295	324	353	381	409	437	464	490	517			
2000 l				163	205	243	278	312	344	376	407	437	467	496	524	553	581	622	664	718

Determine the category (select, luxury, high-altitude) and the corrected number of rooms (CNo.).

- **Dwellings:** CNo. = 0.8 (No. T1 + No. T2) + (No. T3 + No. T4) + 1.2 (No. T5 + No. T6).
- **Hotels:** CNo. = (0.25 No. rooms w/washbasin only) + (0.5 No. with shower) + (No. with bathtub).

Find the required flow rate for a temperature of 55°C in the table.

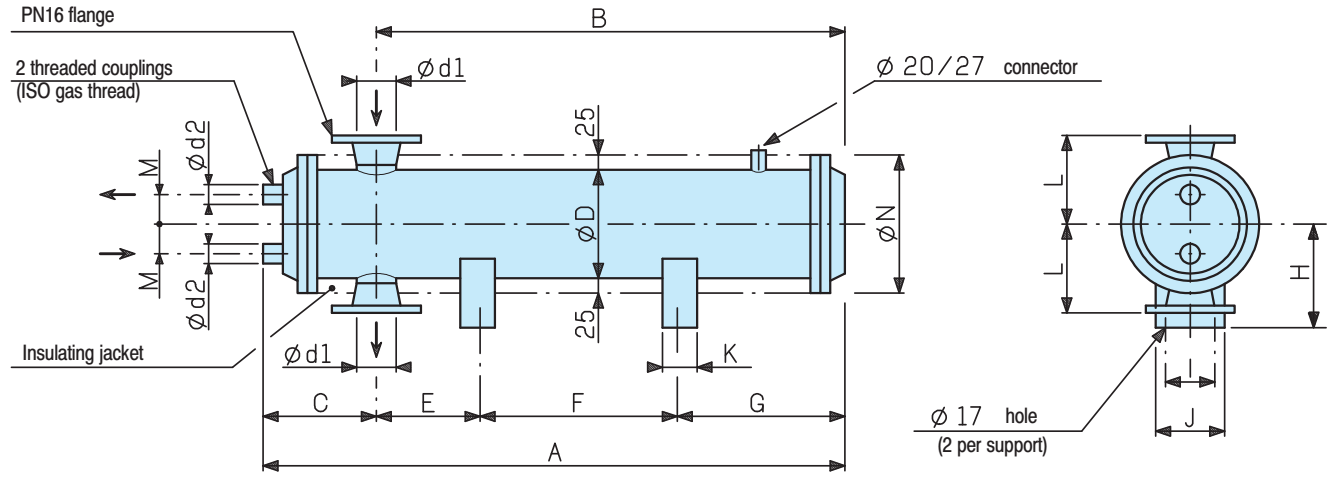
Example: CNo. = 70 flats - Instantaneous production, 116 l/min. flow - Semi-instantaneous production, 65 l/min. flow if tank capacity 750 l.

Models	FS A 1600	FS B 1600	FS C 1600	FS 5 2000
<i>code</i>	4902843	4902844	4902846	4902848
•	•	•	•	•

Accessories

Water producer	FS A 1600	FS B 1600	FS C 1600	FS 5 2000
<i>code</i>	4061788	4061789	4061791	4061793
Insulating jacket	•	•	•	•
<i>code</i>	D028479	D028487	D028495	D028509
Counter-flanges, gaskets and bolts	•	•	•	•
Buffer tank	for dimensions, refer to the MSC range			

DIMENSIONS



FS

WH	A	B	C	D	E	F	G	H	I	J	K	L	M	N	HTG d1	DWH d2	Weight kg	Capacity (l)	
																		HTG	DWH
FS A-1600	1724	1559	165	159	240	800	519	190	70	120	60	136	51	221	50	1 1/4"	83	18	9
FS B-1600	1739	1569	170	219	240	800	529	220	110	160	60	166	65	280	65	1 1/2"	108	36	18
FS C-1600	1749	1561	188	273	292	800	469	247	110	160	60	198	80	333	80	2"	165	50	30
FS 5-2000	2171	1964	207	350	390	800	774	285	170	220	100	244	105	422	100	2 1/2"	310	110	65

Installation diagram

