

“Residential” terminal units

Major 2

Advantages for installers

- Easy installation
- Suitable for all types of architecture
- Factory-fitted plug-and-play control system
- Attractive, sturdy design

Advantages for home-owners

- Extremely quiet operation
- Year-round comfort (air conditioning and heating)



SPECIFICATIONS (see technical manual N 08.501 A)

TWO-PIPE SYSTEMS

| MAJOR 2 | | 426 | 428 | 430 | 432 |
|---|-------------------|---------------|----------------|----------------|----------------|
| Motor code LS - MS - HS | | 5 - 6 - 7 | 5 - 6 - 7 | 4 - 5 - 6 | 3 - 4 - 5 |
| Air flow rate at HS | m ³ /h | 215 | 320 | 460 | 640 |
| Total cooling capacity* at HS - MS - LS | W | 1440-1030-698 | 2060-1680-1300 | 2980-2420-1840 | 4490-3800-2960 |
| Sensible cooling capacity* at HS | W | 1020 | 1460 | 2230 | 3130 |
| Heating capacity at HS - MS - LS | W | 1510-1080-746 | 2180-1800-1430 | 3370-2760-2130 | 4670-3970-3180 |
| Water flow rate | l/h | 246 | 353 | 510 | 769 |
| Coil pressure drops | kPa | 10.4 | 11.4 | 10.8 | 27.8 |
| Coil coupling size (female tapings) | | 3/8" G | | | |
| Valve coupling size (option) (male with flat contact surface) | | 1/2" G | | | |
| Recommended pipe diameter | | 1/2" G | | 3/4" G | |
| Dia. of condensate drain system connection | mm | 16 | | | |
| Coil capacity | litre | 0.53 | 0.76 | 0.99 | 1.32 |
| Sound level** at medium speed | dB(A) | 26 | 29 | 30 | 32 |
| Sound level** at low speed | dB(A) | 15 | 22 | 25 | 25 |
| Electrical connections: 230 V - single-phase - 50 Hz | mm ² | 3 G 1.5 | | | |

* Hot water inlet: 50°C - Winter air temperature: 20°C - Cold water temperature: 7/12°C - Summer air temperature: 27°C 50% HR

**Sound pressure level: Obtained with a room attenuation level of 12 dB.

For a more powerful unit, please consult us.

Specify residential motor code on ordering.

PRICES EXC. VAT

| MAJOR 2 CV1D | 426 | 428 | 430 | 432 |
|--------------------------|---------|---------|---------|---------|
| Code | 7063569 | 7063570 | 7063571 | 7063572 |
| Price of standard unit € | 448 | 490 | 564 | 617 |
| MAJOR 2 CH41D | 426 | 428 | 430 | 432 |
| Code | 7063575 | 7063576 | 7063577 | 7063578 |
| Price of standard unit € | 453 | 494 | 572 | 623 |

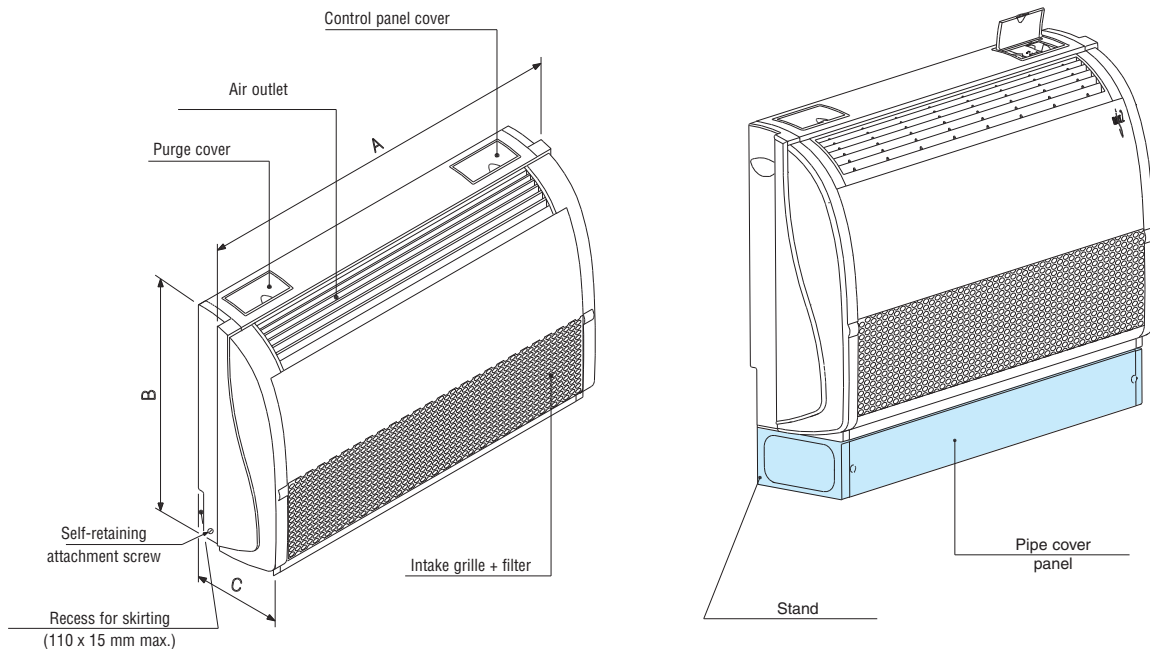
OPTIONS

| Heating/cooling control | 426 | 428 | 430 | 432 |
|---|--------------|---------|---------|---------|
| Room thermostat with fan ON/OFF action, fitted with V30, 34H change-over sensor (supplied in kit) | Code E038866 | | | |
| € | 111 | | | |
| Room thermostat (supplied in kit) with on/off action on 4-way valve + V30 change-over sensor, E35* (supplied in kit) | Code E038484 | | | |
| € | 225 | | | |
| Thermostat flush-mounted in Major 2, with on/off action on 4-way valve, fitted and wired + V30 change-over sensor, E35V (CV model only)** | Code E038484 | | | |
| € | 225 | | | |
| Stands and pipe cover kit | Code 5854900 | 5854901 | 5854902 | 5854903 |
| € | 43 | 49 | 53 | 58 |

* Valve factory fitted on unit, room thermostat and change-over sensor supplied separately

** Valve and thermostat factory fitted on unit

DIMENSIONS



| Major 2 CV 1D CH 41 D | A | B | C | Weight (kg) |
|-----------------------------|------|-----|-----|----------------|
| 426 | 740 | 580 | 245 | 24 |
| 428 | 940 | | | 28 |
| 430 | 1140 | | | 36 |
| 432 | 1340 | | | 42 |