



Fan coil units



CH 41 D



CV 1 D

MAJOR 2: Design and performance



HEE impeller for increased performance



Motor optional

MAJOR 2 is a non-independent chilled and/or hot water supplied air conditioning Comfort unit for the heating and cooling of offices and hotels. With reduced dimensions and designed to ease maintenance interventions, **MAJOR 2** adapts to all types of architecture.

MAJOR 2 provides the user with thermal comfort thanks to a high performance compact coil and ensures a particularly low acoustic level.

MAJOR 2 CASED UNITS ARE AVAILABLE :

- either as **Vertical cased** (CV1D)
- or **Horizontal cased** (CH41D).

MAJOR 2 stands out from other fan coil units by its harmonious lines combining aesthetism and advanced technology.

RANGE

The range comprises **6 sizes** spanning cooling capacity from **0.8 to 8 kW**.

MAJOR 2 has 7 operating speeds, three of which are pre-wired in the factory.

In the standard version, the fan motor assembly speeds and auxiliary electric heaters (in 2-pipe + 2-wire version) are available on a terminal block without control panel. **MAJOR 2** is easy to use, and benefits from improved management of comfort and expenditure thanks to several levels of CIAT-

mounted electronic regulation systems (available options):

- MAJOR 2 with **V30** electronic control.
- MAJOR 2 with **V200** electronic control.
- MAJOR 2 with **V2000®** electronic control.
- MAJOR 2 with **V3000** electronic control.

In this configuration, simply connect the water and electricity and immediately feel the benefits of the **MAJOR 2** unit.

* see Comfort unit controls page



CIAT takes part in the EUROVENT fan coil unit certification programme See performances in Eurovent mode, on last page of the range. The list of products and certified characteristics is given in the EUROVENT directory and on the web site www.eurovent-certification.com



TECHNICAL DESCRIPTION

Casing

Plain white RAL 9010 colour.
Flanges, hatches and discharge grille in self-extinguishing polymer.
Two hatches giving access, without dismantling the casing, to the air vent and to the control terminal (accessory).
Front face and chevron in pre-enamelled sheet metal.
Monobloc intake grille in perforated sheet metal.

Water coil (2 or 4-pipe system)

New concept of high performance compact coil, with a new geometry fin.
Galvanised sheet metal.
Copper tubes, continuous fins in aluminium.
Hydraulic connectors of coil piping with 40 mm between axis.
Connections on the left (or right for NCH) of the unit, facing the discharge.
Air vent and drain integrated into coils.
Nominal pressure: 16 bar (at 20°C).
Test pressure 24 Bar.
Max water temperature: 110 °C (PN 10).

Electrical battery (2-pipe + electric system)

230/1/50 monotube electrical elements inserted in the aluminium block.
22 capillary-tube temperature limiters with manual and automatic reset inserted in the aluminium housing.

Condensates drain pan

External reinforced insulation in the standard version.
Auxiliary drain pan (CH41D) for valve condensates recovery
Reclined to avoid water retention.
Diam. 16 mm discharge.

CONTROLS

Range of wall-mounted electromechanical thermostats V30 and V200 electronic range.

Fan motor assembly

■ Motor

7 speeds, 3 of which pre-wired in factory (possibility of modifying this wiring on site).
Enclosed type, tropicalised, with protected shaft.
Permanent capacitor.
Ball-bearings.
Automatic thermal protector with standard opening on the coil.
Resilient mounts.
Electrical supply 230/1/50.
Reduced electrical consumption.

■ Fan(s)

Galvanised sheet metal casing.
HEE impeller(s) with forward-curved dynamically balanced blades and dual inlets.
V0 fire rating.

Air filter

Positioned on the fan coil intake.
Flexible filtering media in polyester fiber, renewable.
Efficiency Class EN 779 : G3.
Fire resistance: M1.

Support frame

Mounting holes on the rear panel to facilitate its fixation to the wall.
Rear panel in galvanized sheet metal.
Two PC flanges loaded with glass fiber (for increased resistance).

Electrical box

Integrated to the right flange of the frame.
Electrical connection terminal box on DIN railing as per EN 50022- 7.5 mm depth.
Cables stops for customer's connection.

Note: Refer to installation brochures for further information.

V2000[®] and V3000 communicating electronic range.
LON control, consult us.

ACCESSORIES

Rubber 90° elbow for condensates outlet from underneath the unit.
Support feet to pass piping along the sides.
Rear support for passage of 55 or 70 mm thick and 110 mm

max high skirting board.
Condensate drain pump (CH 41 D).
Touching-up pen for paintwork.

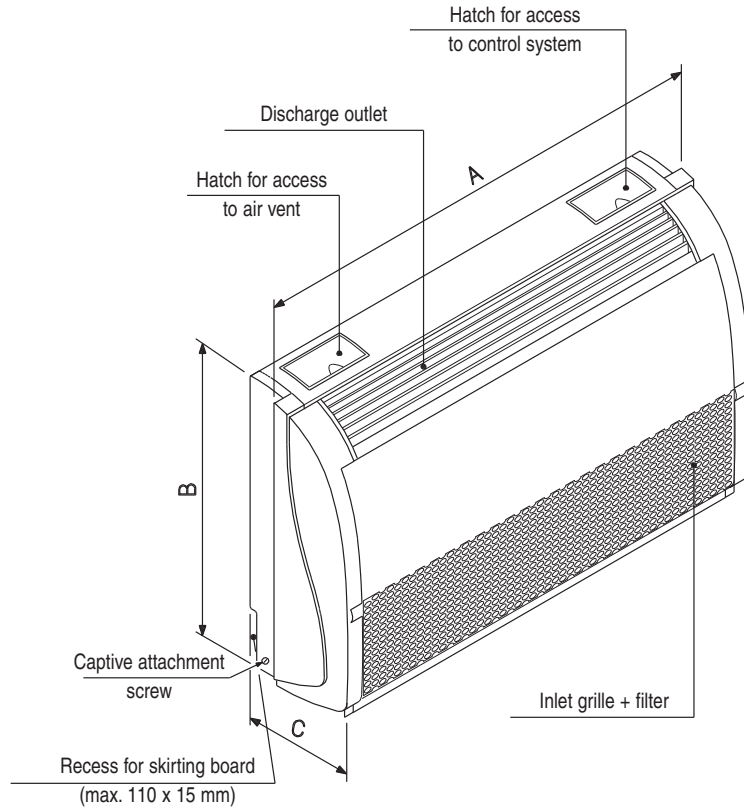
OPTIONS (CONSULT US)

- 60Hz operation (230V)
- Energy saving High Energy Efficiency (HEE) motor (High Energy Efficiency)

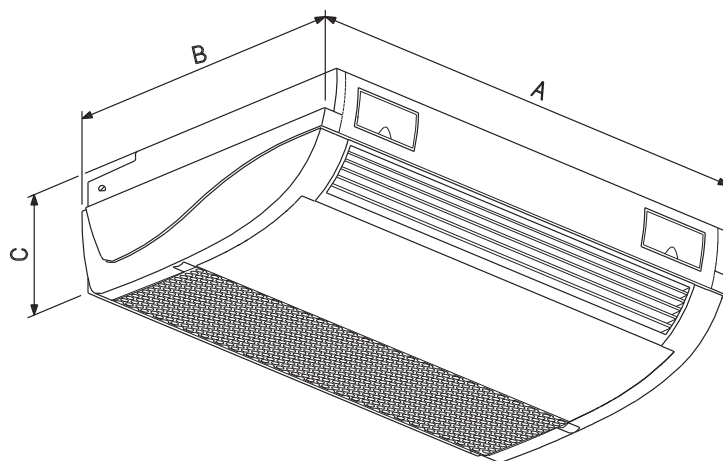


DIMENSIONS

Vertical cased model CV 1 D



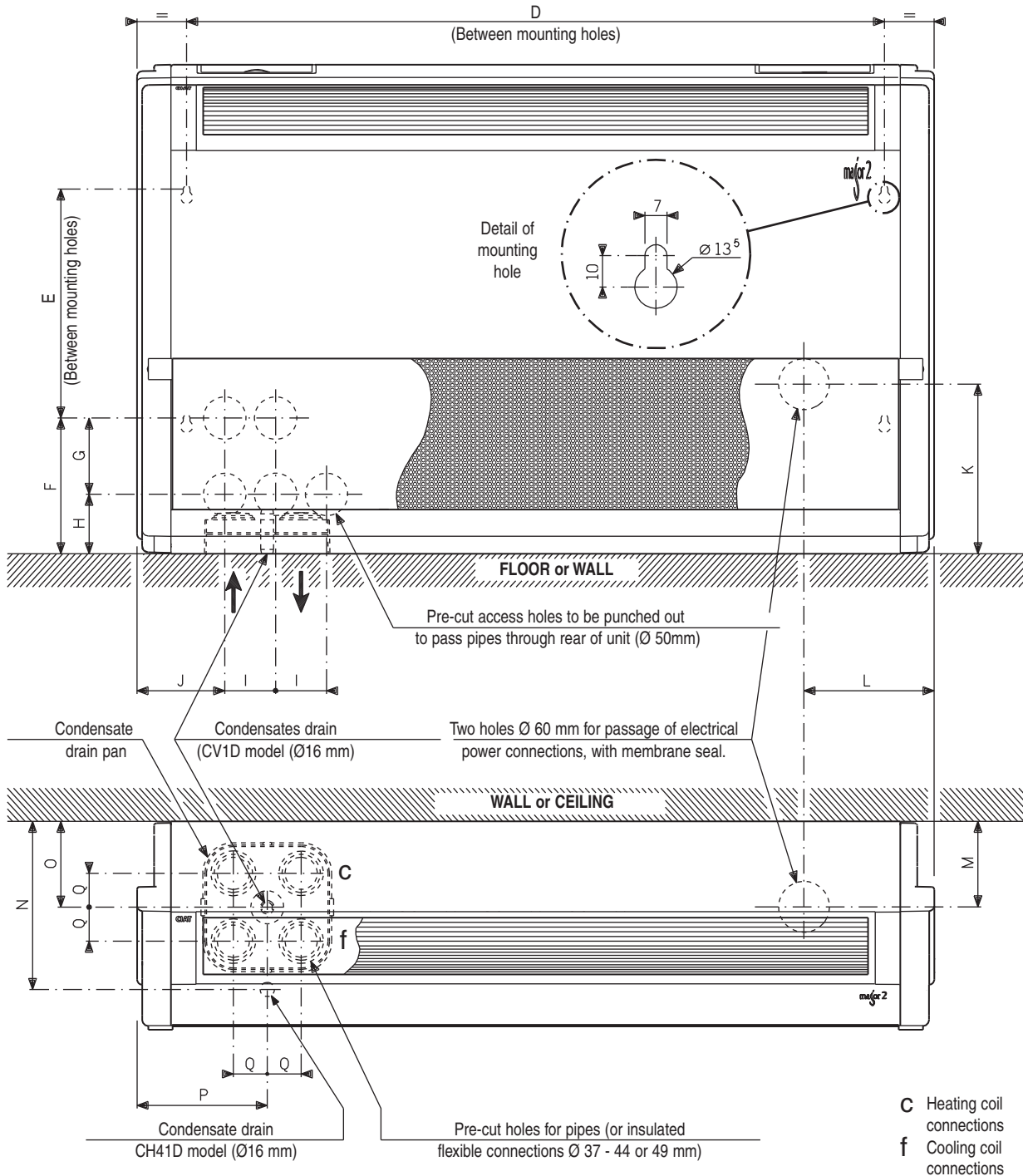
Horizontal cased model CH 41 D



MAJOR 2 CV 1 D / CH 41 D	A	B	C	Mass kg	Dimensional drawing
426 N	740	580	243	24	5976194
428 N	940		243	28	
430 N	1140		243	36	
432 N	1340		243	42	
434 N	1540		243	50	
435 N	1540		243	50	

FASTENING POINTS AND PASSAGE OF POWER SUPPLY

CV 1D -CH 41 D



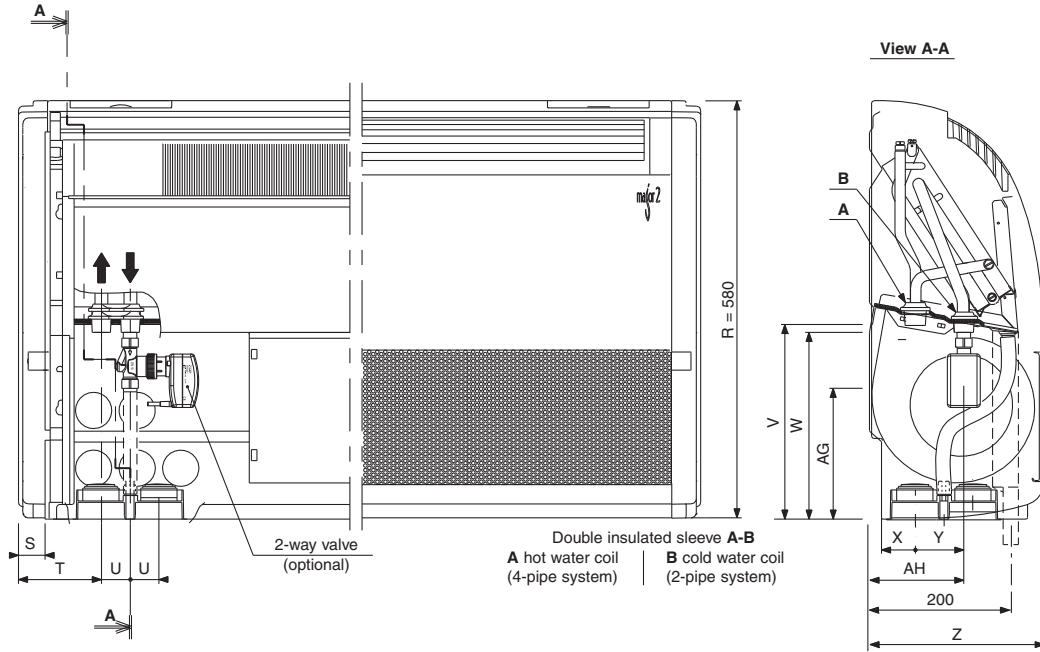
MAJOR 2 CV 1 D / CH 41 D	D	E	F	G	H	I	J	K	L	M	N	O	P	Q
426 N	623	270	160	90	70	60	103.5	200	153.5	102	200	104	154	40
428 N	823													
430 N	1023													
432 N	1223													
434 N	1423													
435 N	1423													



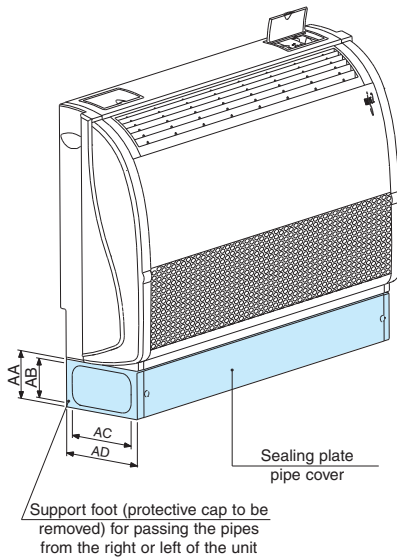
Fan coil units

MAJOR 2 CV/CH

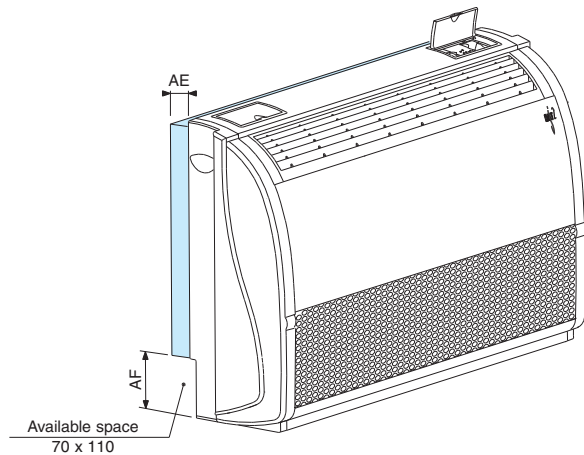
CONNECTIONS AND PASSAGE OF POWER SUPPLY (2 OR 4-PIPE)



Support feet and pipe cover (accessories)



Rear support for skirting board passage (accessory)



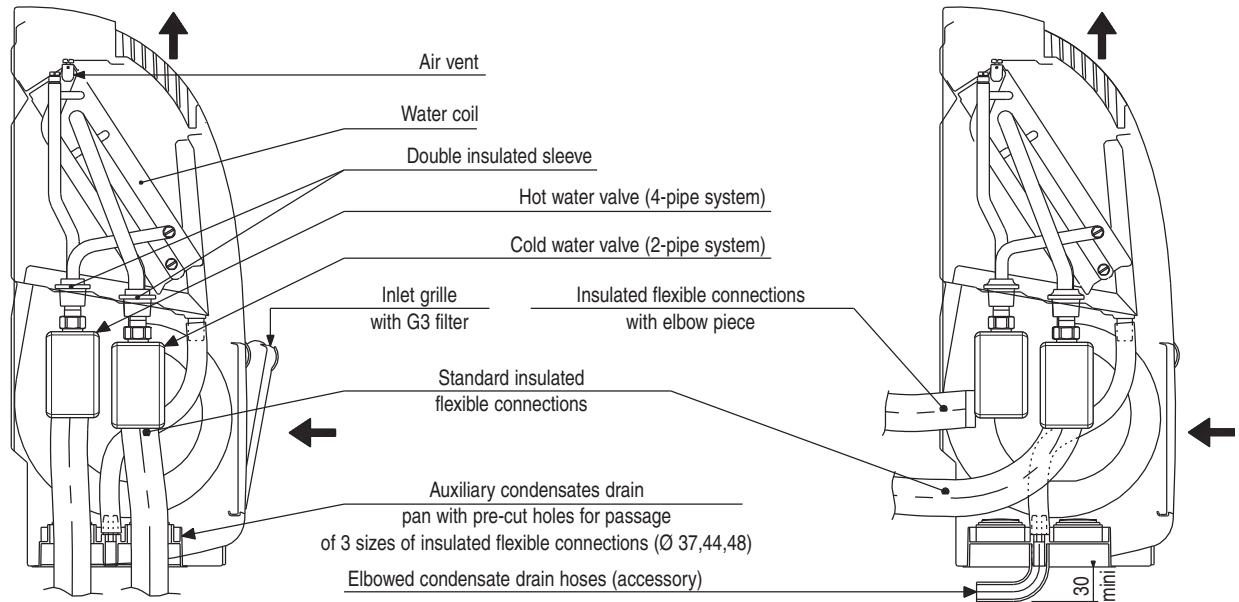
MAJOR 2 CV 1 D / CH 41 D	S	T	U	V	W	X	Y	Z	AA	AB	AC	AD	AE	AF	AG	AH
426 N																
428 N																
430 N																
432 N	37	114	40	269	258	48	64	245	110	90	164	202	55	110	187	132
434 N																
435 N																

HYDRAULIC CONNECTIONS

EXAMPLES

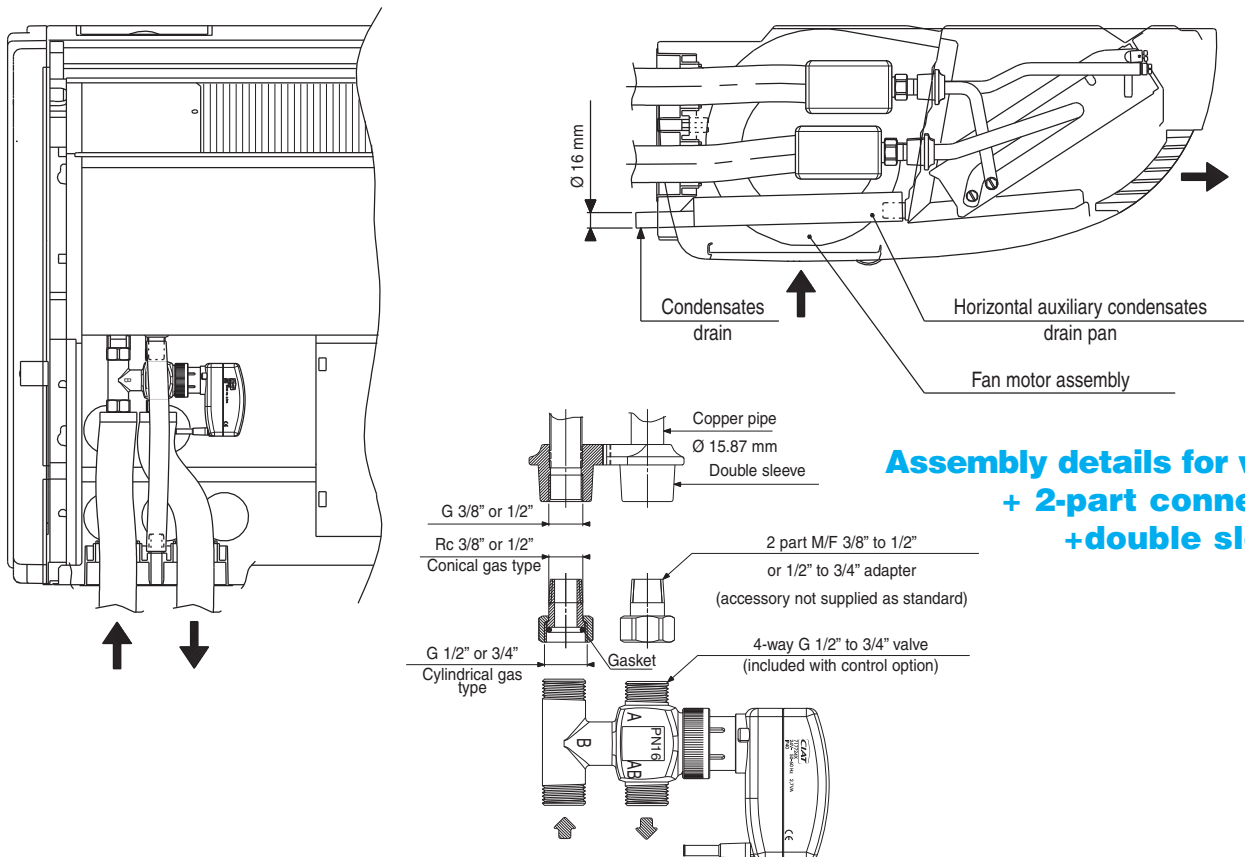
CV 1 D with connectors underneath

CV 1 D with connectors at rear



CV 1 D with connectors underneath

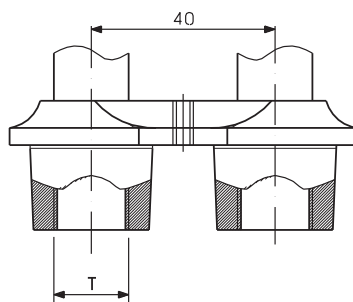
CH 41 D with connectors at rear



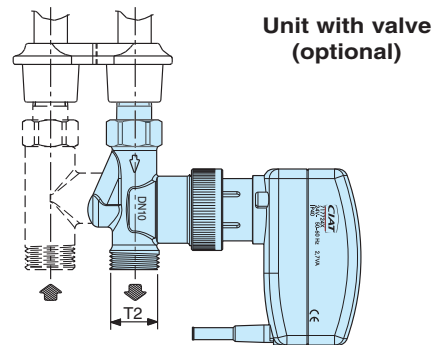
Assembly details for valve + 2-part connector + double sleeve

Note : The assemblies above are presented as examples with valves fitted (optional) and insulated flexible connections (not supplied as standard).

TECHNICAL CHARACTERISTICS



Standard unit



Unit with valve (optional)

Pipe diameter at outlets (tapped fittings)

The diameters of the female tapped fittings on coil connection pipes are standardised (see above drawing dimension T).

MAJOR 2		426 N	428 N	430 N	432 N	434 N	435 N
2- pipe system	Heating or cooling coil	3/8 "	3/8 "	3/8 "	3/8 "	1/2 "	1/2 "
	Cooling coil	3/8 "	3/8 "	3/8 "	3/8 "	1/2 "	1/2 "
4- pipe system	Heating coil	3/8 "	3/8 "	3/8 "	3/8 "	3/8 "	3/8 "

Diameters of valve outlets (threaded connections)

The diameters of the valves' male threaded connections are standardised (see above drawing dimension T2).

MAJOR 2		426 N	428 N	430 N	432 N	434 N	435 N
2- pipe system	Heating or cooling coil	1/2 "	1/2 "	1/2 "	1/2 "	3/4 "	3/4 "
	Cooling coil	1/2 "	1/2 "	1/2 "	1/2 "	3/4 "	3/4 "
4- pipe system	Heating coil	1/2 "	1/2 "	1/2 "	1/2 "	1/2 "	1/2 "

For units fitted with customer control valves, an intermediate two-part male/female connector is needed between the coil connector and the valve(s). This connector is available as an accessory (1, 2 or 4 connectors are required depending on the configuration (2 or 4-pipe) and the valve type (2-way or 4-way) - consult us).

When a CIAT valve-based control system is used, the two-part connector is integrated in the control loop.

Heater / cooler content (in litres)

MAJOR 2		426 N	428 N	430 N	432 N	434 N	435 N
2- pipe system	Heating or cooling coil	0.53	0.76	0.99	1.32	1.58	1.58
	Cooling coil	0.53	0.76	0.99	1.32	1.58	1.58
4- pipe system	Heating coil	0.13	0.13	0.25	0.20	0.24	0.24

Electrical characteristics of motors (230/1/50)

MAJOR 2	Motor ref	426 N	428 N	430 N	432 N	434 N	435 N
Input power (W)	R1	77	100	110	113	143	159
	R2	64	85	92	92	127	139
	R3	54	71	76	76	113	120
	R4	45	60	64	62	102	105
	R5	40	54	57	56	90	95
	R6	35	49	51	50	81	85
	R7	31	45	46	45	74	76
Input current (A)	R1	0.33	0.43	0.48	0.49	0.62	0.69
	R2	0.28	0.37	0.40	0.40	0.55	0.60
	R3	0.23	0.31	0.33	0.33	0.49	0.52
	R4	0.19	0.26	0.28	0.27	0.44	0.46
	R5	0.17	0.23	0.25	0.24	0.39	0.41
	R6	0.15	0.21	0.22	0.22	0.35	0.37
	R7	0.13	0.20	0.20	0.20	0.32	0.33



THERMAL PERFORMANCES

Cold water temp.: 7 / 12°C, summer air temp.: 27°C 50 % RH - Hot water temp.: 90 / 70°C, winter air temp.: 19 °C.

MAJOR 2 CV1D CH41D	Motor ref	Air flow rate m3/h	Heating capacity of 2-tube system coil W	Cooling capacity W		Heating capacity of 4-tube system coil W	Comfort level (ISO or NR)	Average temperature rise in air (K) (2) Auxiliary electric heater 230 / 1 / 50			
				Total	Sensible			1 R	2R		
426 N	R1	450	6 770	2 840	2 150	3 930	45	600	1 200	4.0	7.9
	R2	410	6 280	2 600	1 960	3 740	43			4.3	8.7
	R3	365	5 650	2 470	1 800	3 480	39			4.9	9.8
	R4	310	4 910	2 240	1 590	3 160	34			5.7	11.5
	R5	235	3 850	1 720	1 220	2 660	27			7.6	15.2
	R6	165	2 820	1 340	917	2 100	19			10.8	21.6
	R7	105	1 790	812	563	1 460	<15			17.0	33.9
428 N	R1	685	10 000	4 120	3 160	5 600	45	800	1 600	3.5	6.9
	R2	620	9 270	3 730	2 820	5 320	41			3.8	7.7
	R3	505	7 780	3 410	2 500	4 720	38			4.7	9.4
	R4	420	6 600	2 900	2 100	4 200	33			5.7	11.3
	R5	335	5 440	2 540	1 780	3 660	28			7.1	14.2
	R6	265	4 360	1 990	1 390	3 110	21			9.0	17.9
	R7	210	3 540	1 580	1 110	2 650	<15			11.3	22.6
430 N	R1	845	13 900	5 280	3 960	7 760	45	1 200	2 400	4.2	8.4
	R2	730	12 200	4 600	3 380	7 120	41			4.9	9.8
	R3	605	10 400	4 140	3 010	6 380	37			5.9	11.8
	R4	495	8 700	3 380	2 440	5 630	32			7.2	14.4
	R5	405	7 220	2 910	2 070	4 910	26			8.8	17.6
	R6	310	5 640	2 130	1 530	4 080	18			11.5	23.0
	R7	220	4 110	1 490	1 100	3 180	<15			16.2	32.4
432 N	R1	940	15 100	5 710	4 190	5 970	41	1 400	2 800	4.4	8.8
	R2	805	13 400	5 280	3 790	5 440	37			5.2	10.3
	R3	660	11 400	4 560	3 210	4 830	32			6.3	12.6
	R4	530	8 980	3 810	2 710	4 200	27			7.8	15.7
	R5	430	7 290	3 050	2 180	3 640	22			9.7	19.3
	R6	325	5 170	2 140	1 520	2 970	<15			12.8	25.6
	R7	240	3 630	1 500	1 120	2 360	<15			17.3	34.7
434 N	R1	1295	20 200	7 720	5 800	7 690	45	2 000	4 000	4.6	9.2
	R2	1180	18 700	7 000	5 210	7 300	43			5.0	10.1
	R3	1050	16 900	6 670	4 910	6 820	40			5.7	11.3
	R4	905	14 800	5 770	4 160	6 240	36			6.6	13.1
	R5	765	12 800	5 240	3 770	5 620	33			7.8	15.5
	R6	615	10 600	4 380	3 110	4 890	28			9.7	19.3
	R7	475	8 360	3 210	2 320	4 110	23			12.5	25.0
435 N	R1	1370	21 200	7 880	5 990	7 940	46	2 000	4 000	4.3	8.7
	R2	1280	20 000	7 600	5 690	7 650	44			4.6	9.3
	R3	1155	18 300	7 190	5 310	7 210	42			5.1	10.3
	R4	1020	16 500	6 280	4 530	6 720	38			5.8	11.6
	R5	875	14 400	5 820	4 230	6 110	35			6.8	13.6
	R6	730	12 300	4 920	3 510	5 460	29			8.1	16.3
	R7	580	10 000	4 020	2 910	4 690	24			10.2	20.5

Table with acoustic attenuation of room and facility of 12 dB for MAJOR 2 CV1D and CH41D models 426 N to 430 N and 14 dB for models 432 N and 435 N.

(1) Please note, the air discharge temperature must not exceed 65°C. (CIAT recommendation).

Standard factory wiring



Fan coil units

Basic unit with fan motor assembly and electric heaters (if required) connected to terminal block, without speed control, equipped with a Eurovent G3 class filter.

MAJOR 2 CASED MODEL		STANDARD UNIT (FAN assembly wired on block)			
		Water coil only Left sockets		Water coil + electric heaters Left sockets	
		2- pipe system	4- pipe system	2- pipe + 2 wire system (1)	
				1 electric heater	2 electric heaters
CV 1 D	426 N	Code <input type="checkbox"/> 7063569	<input type="checkbox"/> 7063581	600 W 7063593	1200 W 7063605
		<input checked="" type="checkbox"/>	<input checked="" type="checkbox"/>	<input checked="" type="checkbox"/>	<input checked="" type="checkbox"/>
	428 N	Code <input type="checkbox"/> 7063570	<input type="checkbox"/> 7063582	800 W 7063594	1600 W 7063606
		<input checked="" type="checkbox"/>	<input checked="" type="checkbox"/>	<input checked="" type="checkbox"/>	<input checked="" type="checkbox"/>
	430 N	Code <input type="checkbox"/> 7063571	<input type="checkbox"/> 7063583	1200 W 7063595	2400 W 7063607
		<input checked="" type="checkbox"/>	<input checked="" type="checkbox"/>	<input checked="" type="checkbox"/>	<input checked="" type="checkbox"/>
	432 N	Code <input type="checkbox"/> 7063572	<input type="checkbox"/> 7063584	1400 W 7063596	2800 W 7063608
		<input checked="" type="checkbox"/>	<input checked="" type="checkbox"/>	<input checked="" type="checkbox"/>	<input checked="" type="checkbox"/>
	434 N	Code <input type="checkbox"/> 7063573	<input type="checkbox"/> 7063585	2000 W 7063597	4000 W 7063609
		<input checked="" type="checkbox"/>	<input checked="" type="checkbox"/>	<input checked="" type="checkbox"/>	<input checked="" type="checkbox"/>
	435 N	Code <input type="checkbox"/> 7063574	<input type="checkbox"/> 7063586	2000 W 7063598	4000 W 7063610
		<input checked="" type="checkbox"/>	<input checked="" type="checkbox"/>	<input checked="" type="checkbox"/>	<input checked="" type="checkbox"/>
CH 41 D	426 N	Code <input type="checkbox"/> 7063575	<input type="checkbox"/> 7063587	600 W 7063599	1200 W 7063611
		<input checked="" type="checkbox"/>	<input checked="" type="checkbox"/>	<input checked="" type="checkbox"/>	<input checked="" type="checkbox"/>
	428 N	Code <input type="checkbox"/> 7063576	<input type="checkbox"/> 7063588	800 W 7063600	1600 W 7063612
		<input checked="" type="checkbox"/>	<input checked="" type="checkbox"/>	<input checked="" type="checkbox"/>	<input checked="" type="checkbox"/>
	430 N	Code <input type="checkbox"/> 7063577	<input type="checkbox"/> 7063589	1200 W 7063601	2400 W 7063613
		<input checked="" type="checkbox"/>	<input checked="" type="checkbox"/>	<input checked="" type="checkbox"/>	<input checked="" type="checkbox"/>
	432 N	Code <input type="checkbox"/> 7063578	<input type="checkbox"/> 7063590	1400 W 7063602	2800 W 7063614
		<input checked="" type="checkbox"/>	<input checked="" type="checkbox"/>	<input checked="" type="checkbox"/>	<input checked="" type="checkbox"/>
	434 N	Code <input type="checkbox"/> 7063579	<input type="checkbox"/> 7063591	2000 W 7063603	4000 W 7063615
		<input checked="" type="checkbox"/>	<input checked="" type="checkbox"/>	<input checked="" type="checkbox"/>	<input checked="" type="checkbox"/>
	435 N	Code <input type="checkbox"/> 7063580	<input type="checkbox"/> 7063592	2000 W 7063604	4000 W 7063616
		<input checked="" type="checkbox"/>	<input checked="" type="checkbox"/>	<input checked="" type="checkbox"/>	<input checked="" type="checkbox"/>

(1) For the operation of the MAJOR 2 CV 1D or CH 41D with 2 electric heaters, CIAT recommends to use a PI control device, with time-proportional management of the electric heater and post-ventilation required when the unit is switched off.







Units are in stock to meet your requirements at short notice.

CIAT declines any responsibility in the event of non-use of a V30, V200, V2000 and V3000 control unit with MAJOR 2 CV 1D or CH 41D units equipped with two electric heaters.

See control pages for a complete offer: Comfort unit + control



ACCESSORIES FOR CASED MAJOR 2 (SUPPLIED SEPARATELY)

Model	Description	426 N	428 N	430 N	432 N	434 N	435 N
CV1D CO1	 90° rubber elbow	Code 7023445					
CV1D CH41D *	 Support feet and pipe cover *used to hide piping	Code 5854900	5854901	5854902	5854903	Code 5854904	
CV1D SO3	 Rear support for plinth Thickness 55 mm (for plinth thickness: 70 mm)	Code 5854910	5854911	5854912	5854913	Code 5854914	
CV1D CH41D	 X1 Paint corrector touching-up pen RAL 9010 (12 ml content)	Code 5201727					
CV1D CH41D	RA1  2 piece male / female connector 3/8" < 1/2" seals included	Code 5202314 + 5200708					
	RA2  2 piece male / female connector 1/2" < 3/4" seals included	Code 5202313 + 5202079					
Kit condensate drain pump for CH41D model to mount on the unit with overflow safety device. <ul style="list-style-type: none"> • 7l/h maximum flow for 1m draining height and 5m maximal length of piping. • 6l/h maximum flow for 1m draining height and 10m maximal length of piping. Draining : 6mm internal diameter flexible tube, 8mm diameter nozzle. For higher drain heights, consult us. One regulation for each valve must be added to allow slaving the overflow safety device to the valve closing (condensates stopped). Fixation assembly supplied with the diagram. Approximate calculation of the condensed water flow: $Q_v \text{ (l/h)} = \frac{P \text{ total} - P \text{ sensible (W)}}{680}$				Code 7015200			

 Accessories are on stock to meet your requirements in the shortest time limits.

ACCESSORY FOR CASED MAJOR 2 (MOUNTED ON THE UNIT)

Model	Description	426 N	428 N	430 N	432 N	434 N	435 N
CH41D PR1	Condensates drain pump mounted on the Comfort unit with anti-overflow security. 7l/h air flow for a drain height of 1m and 5 m maximum pipe length 6l/h air flow for a drain height of 1m and 6 m maximum pipe length For higher drain heights consult us; Evacuation: flexible tube of interior diameter 6mm, end-piece diameter 8mm. This accessory must be completed with a valve control to enslave the security to the valve closing (condensates stopping). Condensates flow approximate calculation: $Q_v \text{ (l/h)} = \frac{P \text{ total} - P \text{ sensible (W)}}{680}$	Code E038415					

UNITS WITH AIR CONTROL IN STOCK

AIR CONTROL		Application	Diagram		426 N	428 N	430 N	432 N	434 N	435 N	
MAJOR 2 CH41D - 2 Pipes	WALL THERMOSTAT	Major 2 CH41D, 2 tubes on left		Unit code (a)	7063575	7063576	7063577	7063578	7063579	7063580	
		On/Off + 3 speeds + manual dial - heating/cooling with manual toggle switch	RTR-E 7015	5950338	RTR-E code (1)	5201023					
					Total price (a+1)	●	●	●	●	●	●
		On/Off + 3 speeds + manual dial - heating or cooling only	COOLING RTR-E 7009 HEATING RTR-E 7009	7191518	RTR-E code (2)	7124612					
					Total price (a+2)	●	●	●	●	●	●
	Wall-mounted V30 with +/- dial, 3 speeds - Heating/cooling with automatic changeover supplied as a kit	A34H	7175611	V30 code (3) + CO2 sensor (4)	7166781 + 7209243						
				Total price (a+3+4)	●	●	●	●	●	●	
	Wall-mounted V30 with +/- dial, 3 speeds - Heating or cooling only	COOLING A32H	7175609	V30(3) code	7166781						
		HEATING A30H	7175607	Total price (a+3)	●	●	●	●	●	●	
	MAJOR 2 CV 1D - 2 Pipes	WALL THERMOSTAT	Major 2 CV1D, 2 pipes on left		Unit code (b)	7063569	7063570	7063571	7063572	7063573	7063574
On/Off + 3 speeds + manual dial - heating/cooling with manual toggle switch			RTR-E 7015	5950338	RTR-E code (1)	5201023					
					Total price (b+1)	●	●	●	●	●	●
On/Off + 3 speeds + manual dial - heating or cooling only			COOLING RTR-E 7009 HEATING RTR-E 7009	7191518	RTR-E code (2)	7124612					
					Total price (b+2)	●	●	●	●	●	●
Wall-mounted V30 with +/- dial, 3 speeds - Heating/cooling with automatic changeover supplied as a kit		A34H	7175611	V30 (3) + CO sensor (4)	7166781 + 7209243						
				Total price (b+3+4)	●	●	●	●	●	●	
Wall-mounted V30 with +/- dial, 3 speeds - Heating or cooling only		COOLING A32H	7175609	V30(3) code	7166781						
		HEATING A30H	7175607	Total price (b+3)	●	●	●	●	●	●	
FLUSH-MOUNTED THERMOSTAT		Major 2 CV1D, 2 pipes on left equipped with V30 (fitted)		V30 equipped unit code (c)	7192018	7192019	7192020	7192021	7192022	7192023	
	Flush-mounted V30 with +/- dial, 3 speeds - Return air sensor- Heating/cooling with automatic changeover	A34V	7175610	Total price (c)	●	●	●	●	●	●	
		A30V	7175606								
		A32V	7175608								

Accessories are on stock to meet your requirements in the shortest time limits.



2-PIPE WATER CONTROL UNITS IN STOCK

WATER CONTROL		Application	Diagram		426 N	428 N	430 N	432 N	434 N	435 N
MAJOR 2 CH41D - 2 Pipes	MAJOR 2 CH41D, 2 pipes on left + 230 V four-way valve fitted		5954220	Unit code (d)	7070677	7070678	7070679	7070680	7070681	7070682
	On/Off + 3 speeds + manual dial - heating/cooling with manual toggle switch	RTR-E 7012	5950384	RTR-E code (5)	5201024					
				Total price (d+5)	●	●	●	●	●	●
	On/Off + 3 speeds + manual dial - heating or cooling only	COOLING RTR-E 7011	5950268	RTR-E code (6)	5201018					
		HEATING RTR-E 7011	5950459	Total price (d+6)	●	●	●	●	●	●
	Wall-mounted V30 with +/- dial, 3 speeds - Heating/cooling with automatic changeover supplied as a kit	E35H	7175618	V30 code (3) + CO2 sensor (4)	7166781 + 7209243					
				Prix tarif global (d+3+4)	●	●	●	●	●	●
	Wall-mounted V30 with +/- dial, 3 speeds - Heating or cooling only	COOLING E33H	7175615	V30(3) code	7166781					
		HEATING E31H	7175613	Total price (d+3)	●	●	●	●	●	●
	Major 2 CH41D, 2 tubes on left + 230 V two-way valve supplied as a kit			Unit code (a) + kit code (7)	7063575 7185600	7063576 7185600	7063577 7185600	7063578 7185600	7063579 7185602	7063580 7185602
	On/Off + 3 speeds + manual dial - heating/cooling with manual toggle switch	RTR-E 7012	5950384	RTR-E code (5)	5201024					
				Total price (a+7+5)	●	●	●	●	●	●
	Marche/arrêt + 3 vitesses + potentiomètre manuel - chaud ou froid uniquement	COOLING RTR-E 7011	5950268	RTR-E code (6)	5201018					
		HEATING RTR-E 7011	5950459	Total price (a+7+6)	●	●	●	●	●	●
On/Off + 3 speeds + manual dial - heating or cooling only	COOLING E32H	7175615	V30(3) code	7166781						
	HEATING E30H	7175613	Total price (a+7+3)	●	●	●	●	●	●	
WALL THERMOSTAT	Major 2 CH41D, 2 tubes on left + 230 V two-way valve supplied as a kit			Unit code (b) + kit code (7)	7063569 7185600	7063570 7185600	7063571 7185600	7063572 7185600	7063573 7185602	7063574 7185602
	On/Off + 3 speeds + manual dial - heating/cooling with manual toggle switch	RTR-E 7012	5950384	RTR-E code (5)	5201024					
				Total price (b+7+5)	●	●	●	●	●	●
	On/Off + 3 speeds + manual dial - heating or cooling only	COOLING RTR-E 7011	5950268	RTR-E code (6)	5201018					
		HEATING RTR-E 7011	5950459	Total price (b+7+6)	●	●	●	●	●	●
	Wall-mounted V30 with +/- dial, 3 speeds - Heating or cooling only	COOLING E32H	7175615	V30(3) Code	7166781					
		HEATING E30H	7175613	Total price (b+7+3)	●	●	●	●	●	●
	Major 2 CV1D, 2 pipes on left + 230 V two-way valve supplied as a kit			Unit code (b) + kit code (8)	7063569 7185601	7063570 7185601	7063571 7185601	7063572 7185601	7063573 7185603	7063574 7185603
	On/Off + 3 speeds + manual dial - heating/cooling with manual toggle switch	RTR-E 7012	5950384	RTR-E code (5)	5201024					
				Total price (b+8+5)	●	●	●	●	●	●
	On/Off + 3 speeds + manual dial - heating or cooling only	COOLING RTR-E 7011	5950268	RTR-E code (6)	5201018					
		HEATING RTR-E 7011	5950459	Total price (b+8+6)	●	●	●	●	●	●
	Wall-mounted V30 with +/- dial, 3 speeds - Heating/cooling with automatic changeover supplied as a kit	E35H	7175618	V30 (3) + CO2 (4) code	7166781 + 7209243					
				Total price (b+8+3+4)	●	●	●	●	●	●
Wall-mounted V30 with +/- dial, 3 speeds - Heating or cooling only	COOLING E33H	7175615	V30(3) Code	7166781						
	HEATING E31H	7175613	Total price (b+8+3)	●	●	●	●	●	●	



2-PIPE WATER CONTROL UNITS IN STOCK (continued)

WATER CONTROL		Application	Diagram		426 N	428 N	430 N	432 N	434 N	435 N
MAJOR 2 CV 1D - 2 Pipes	FLUSH-MOUNTED THERMOSTAT	MAJOR 2 CV1D, 2 pipes on left equipped with V30 (fitted) - Two-way valve kit		V30 equipped unit code (c) + kit code (7)	7192018 7185600	7192019 7185600	7192020 7185600	7192021 7185600	7192022 7185602	7192023 7185602
		Flush-mounted V30 with +/- dial, 3 speeds - Return air sensor- Heating/cooling with automatic changeover	E34V	7175617	Total price (c+7) -	●	●	●	●	●
	FLUSH-MOUNTED THERMOSTAT	MAJOR 2 CV1D, 2 pipes on left equipped with V30 (fitted) - Four-way valve kit		V30 equipped unit code (c) + kit code (8)	7192018 7185601	7192019 7185601	7192020 7185601	7192021 7185601	7192022 7185603	7192023 7185603
		Flush-mounted V30 with +/- dial, 3 speeds - Return air sensor- Heating/cooling with automatic changeover	E35V	7175617	Total price (c+8) -	●	●	●	●	●

4-PIPE WATER CONTROL UNITS IN STOCK

WATER CONTROL		Application	Diagram		426 N	428 N	430 N	432 N	434 N	435 N	
MAJOR 2 CV 1D - 4 Pipes	WALL THERMOSTAT	Major 2 CV1D, 4 pipes on left + 2 x 230 V two-way valves supplied as a kit		Unit code (e) + kit code (7)	7063581 7185600 7185600	7063582 7185600 7185600	7063583 7185600 7185600	7063584 7185600 7185600	7063585 7185600 7185602	7063586 7185600 7185602	
		On/Off + 3 speeds + manual dial - deadband	RTR-E 7203	5950323	RTR-E code (9)	5201021					
					Total price (e+7+9) -	●	●	●	●	●	●
		Wall-mounted V30 with +/- dial, 3 speeds - Heating/cooling with deadband	E40H	7175641	V30(3) Code	7166781					
					Total price (e+7+3) -	●	●	●	●	●	●
		Major 2 CV1D, 4 pipes on left + 2 x 230 V four-way valves supplied as a kit			Unit code (e) + kit code (8)	7063581 7185601 7185601	7063582 7185601 7185601	7063583 7185601 7185601	7063584 7185601 7185601	7063585 7185601 7185603	7063586 7185601 7185603
	WALL THERMOSTAT	On/Off + 3 speeds + manual dial - deadband	RTR-E 7203	5950323	RTR-E code (9)	5201021					
					Total price (e+8+9) -	●	●	●	●	●	●
		Wall-mounted V30 with +/- dial, 3 speeds - Heating/cooling with deadband	E41H	7175641	V30(3) Code	7166781					
					Total price (e+8+3) -	●	●	●	●	●	●



EUROVENT PERFORMANCES - 2-PIPE SYSTEM

CIAT takes part in the EUROVENT fan coil unit certification programme. In order to benefit from the latest updates, we advise you to consult the EUROVENT Internet site www.eurovent-certification.com.



EUROVENT mode, 2-pipe system : - Summer: cold water 7/12°C, air 27°C WB 19°C

- Winter: hot water inlet 50°C for determined water flow in summer mode, air 20°C

Major 2	Motor code	Air flow rate	Sensible cooling capacity	Total cooling capacity	Heating capacity	Dp (cooling)	Dp (heating)	Lw
		m ³ /h	kW	kW	kW	kPa	kPa	dB _A
426 N	R3	365	1.720	2.070	2.380	20.4	17.4	55
	R5	235	1.160	1.440	1.620	10.4	9.1	45
	R7	105	0.532	0.681	0.747	2.60	2.45	29
428 N	R2	620	2.690	3.110	3.850	24.2	20.5	58
	R4	420	2	2.420	2.760	15.2	13.1	50
	R6	265	1.320	1.660	1.830	7.64	6.72	39
430 N	R2	730	3.200	3.830	5.030	17.1	14.8	57
	R4	495	2.300	2.810	3.590	9.60	8.48	48
	R6	310	1.430	1.750	2.300	4.00	3.67	37
432 N	R1	940	3.970	4.770	6.210	31.1	26.3	59
	R3	660	3.040	3.810	4.710	20.6	17.6	51
	R6	325	1.420	1.740	2.120	4.99	4.45	36
434 N	R2	1180	4.950	5.840	7.660	21.7	19	61
	R4	905	3.950	4.810	6.120	15.0	13.3	55
	R7	475	2.170	2.620	3.400	4.83	4.43	42
435 N	R1	1370	5.690	6.580	8.700	27.0	23.6	64
	R4	1020	4.300	5.240	6.790	17.7	15.6	56
	R6	730	3.320	4.100	5.070	11.1	9.94	48

EUROVENT PERFORMANCES - 4-PIPE SYSTEM

CIAT takes part in the EUROVENT fan coil unit certification program. In order to benefit from the latest updates, we advise you to consult the EUROVENT Internet site www.eurovent-certification.com.



EUROVENT mode, 4-pipe system: - Summer: cold water 7/12°C, air 27°C WB 19°C

- Winter: hot water 70/60°C, air 20°C

Major 2 NCH	Motor ref	Air flow rate	Sensible cooling capacity	Total cooling capacity	Heating capacity	Dp (cooling)	Dp (heating)	Lw
		m ³ /h	kW	kW	kW	kPa	kPa	dB _A
426 N	R3	365	1.730	2.070	2.520	20.4	13.0	55
	R5	235	1.160	1.440	1.910	10.4	7.98	45
	R7	105	0.534	0.681	1.040	2.60	2.74	29
428 N	R2	620	2.690	3.110	3.810	24.2	40.0	58
	R4	420	2.000	2.420	3.010	15.2	26.4	50
	R6	265	1.320	1.660	2.220	7.64	15.4	39
430 N	R2	730	3.200	3.830	5.080	17.1	71.4	57
	R4	495	2.300	2.810	4.010	9.60	47.0	48
	R6	310	1.430	1.750	2.890	4.00	26.6	37
432 N	R1	940	3.980	4.770	4.340	31.1	16.0	59
	R3	660	3.050	3.810	3.500	20.6	10.9	51
	R6	325	1.420	1.740	2.150	4.99	4.57	36
434 N	R2	1180	4.960	5.840	5.290	21.7	19.1	61
	R4	905	3.960	4.810	4.510	15.0	14.4	55
	R7	475	2.170	2.620	2.940	4.83	6.69	42
435 N	R1	1370	5.700	6.580	5.750	27.0	22.3	64
	R4	1020	4.310	5.240	4.860	17.7	16.4	56
	R6	730	3.330	4.100	3.930	11.1	11.2	48

Dp: Water pressure drop in kPa

Lw: Overall acoustic power in dBA