



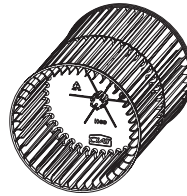
Fan coil units

MAJOR 300

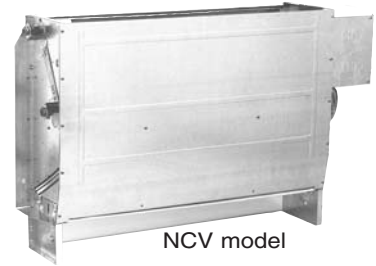
NEW



CV model



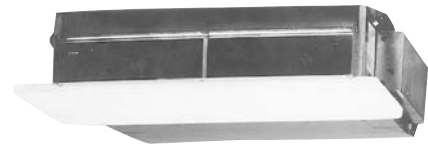
HEE impeller
for increased
performance



NCV model



CH model



NCH model

The **reference** for fan coil units,
offering versatility for daily use.



Motor optional

MAJOR fan coil units are designed to heat and cool business premises. Four models are available, **suitable for all installation configurations**.

MAJOR's versatility makes it particularly well designed for specific installations (renovation the fitting of special control devices).

With its low sound level, optimised thermal performance, optimal adaptability and patented adjustable diffusion outlet providing full control of air diffusion, MAJOR fan coil units provide a technical and economical solution to achieve good personal comfort ratings.

CV MODEL

The "**cased vertical**" model is intended for wall mounting. This simple, sober, elegant version is suitable for almost all types of premises. It is installed like a radiator or convection heater and requires no particular preparatory work. This model will often be used in existing buildings or economical installations.

CH MODEL

The "**cased horizontal**" model is mounted on the ceiling of the room to be air conditioned. It is suitable for rooms with low wall height or insufficient floor space to install a vertical model.

NCV MODEL

The "**non-cased vertical**" model will be selected by architects who wish to provide a customised trim to match the unit to other decorative elements in the premises.

NCH MODEL

The "**non-cased horizontal**" model is designed to be fitted into a suspended ceiling. It has 10 Pa of static pressure at the outlet, enabling it to be installed in a suspended ceiling or connected to a visible ceiling joist distribution duct.



CIAT takes part in the EUROVENT fan coil unit certification programme. The list of products and certified characteristics is given in the EUROVENT directory and on the web site www.eurovent-certification.com



QUALITY DESCRIPTION

Casing

Galvanised sheet metal with on-site protective film.
RAL 9002 satin pale grey colour.

Diffusion grille in anodised aluminium, **adjustable to the desired angle, providing a high-quality aeraulic discharge.**

2 ABS plastic hatches for access to the control box and air vents.

Large space for lodging the valves.

Water coil (2 or 4-pipe system)

Galvanised sheet metal.

Copper tubes, continuous fins in aluminium.

Coil connections on the left or on the right of the unit when facing the discharge outlet (specify in the order).

Tapped connections with integrated air vent and drain

Piping support stirrup.

Nominal pressure 16 Bar (to 20°C).

Test pressure: 24 bars.

Max water temperature: 100 °C (PN 10).

Electrical battery (2-pipe + electric or all electric)

Shrouded heating element, stainless steel tube, galvanised fins.

Temperature limiters, capillary type.

Electrical connection terminal.

230/1ph/50 supply for the 2 tube + electric model.

400/3ph/50 supply for the all electric model.

Condensates recovery tray

CV/NCV

Pressed galvanised entirely stamped sheet metal platform.

16 mm diam. condensates draining.

CH/NCH

Pressed galvanized entirely stamped sheet metal platform, painted both inside and outside to avoid any risk of corrosion.

16 mm diam. condensates draining.

Fan motor assembly unit

- Motor
- **7 speeds, 3 are pre-wired in factory (possibility of modifying this wiring on site).**
- Enclosed type, tropicalized, with protected shaft.
- Permanent capacitor.
- Ball bearings.
- Automatic thermal cut-out, in series on the coil.
- Resilient mounts.

- Resilient mounts.
- Supply 230V/1/50, **reduced consumption.**
- Fan(s)
- Galvanised sheet metal scroll(s).
- HEE impeller(s) with forward-curved dynamically balanced blades and dual inlets.
- V0 fire rating.
- Galvanised sheet metal platform supporting the unit

Air filter

Positioned at the unit intake.

Flexible filtering media in polyester fibers, cleanable, renewable.

Efficiency Class CE EN 779 : G3.

Fire resistance: M1.

Rigid frame.

Mounted on rotating slides for easy maintenance.

Frame

- Galvanised sheet metal, bichromated zinc coated steel nuts and screws.

- Insulation

- Front/rear panel: glass wool, 8 mm thick, with coating to protect from erosion

- Lateral panels: cellular flexible foam, in fireproof polyethylene, 5 mm thick, M1.

Control box

Entirely enclosed.

3 speed/Stop switch with bi-polar cut on Stop position (on CV/ NCV).

DIN railing as per EN 50022, 7.5 mm depth.

Opposite side to hydraulic connections.

ACCESSORIES

Consult price list.

CONTROL DEVICES

Wall-mounted electromechanical thermostats range.

V30 Electronic range.

V200 Electronic range.

Communicating V2000® electronic range.

Communicating V3000 electronic range.

LON control, consult us.

OPTIONS (CONSULT US)

Low consumption motor.

Reinforced insulation of the drain pan.

Ultra-powerful 2 pipe system coil (2 pipes, 3 rows).

Aluminium fins with protection (saline conditions for example).

Low type, CV or NCV model (Consult us)

60Hz operation (230V)

Note: see user's brochure for more details.



Fan coil units

PERFORMANCES

Cold water temp.: 7 / 12°C, summer air temp. cond.: 27°C 50% RH - Hot water temp.: 90 / 70°C, winter air temp. cond.: 19°C.

MAJOR	Motor ref.	Air flow m³/h	Heating capacity Coil (2-pipe system) W	Cooling capacity W		Heating capacity Coil (4-pipe system) W	Comfort level ISO or NR	Mean air temperature rise in K (1)												
				Total	Sensible			Extra electric heater 230 / 1 / 50				Electric heater only 400 / 3 / 50								
								1R	2R	3R	6R									
325 N	R1	445	6 140	2 180	1 780	1 880	41	600 W	4,0	1200 W	8,0	1800 W	12,0	3600 W	24,0					
	R2	415	5 850	2 080	1 680	1 820	40									4,3	8,6	12,9	25,8	
	R3	375	5 460	1 970	1 560	1 750	38									4,8	9,5	14,3	28,5	
	R4	330	5 000	1 800	1 400	1 730	35									5,4	10,8	16,2	32,4	
	R5	280	4 350	1 610	1 230	1 600	31									6,4	12,7	19,1	38,2	
	R6	220	3 590	1 370	1 020	1 470	26									8,1	16,2	24,3	48,6	
	R7	155	2 680	1 050	762	1 280	18									11,5	23,0	34,5	69,0	
327 N	R1											14,2		28,4						
	R2											15,3		30,5						
	R3											17,1		34,1						
	R4	/	/	/	/	/	/	/	/	/	2700 W	19,8	5400 W	39,6						
	R5											23,9		47,9						
	R6											30,3		60,5						
	R7											43,3		86,7						
327 SP N	R1	565	8 610	3 060	2 260	2 980	42	900 W	4,7	1800 W	9,5	/	/	/	/					
	R2	525	8 140	2 910	2 130	2 870	39									5,1	10,2			
	R3	470	7 540	2 710	2 000	2 770	36									5,7	11,4			
	R4	405	6 760	2 440	1 790	2 670	32									6,6	13,2			
	R5	335	5 940	2 150	1 570	2 510	29									8,0	16,0			
	R6	265	4 860	1 790	1 300	2 240	23									10,1	20,2			
	R7	185	3 590	1 370	969	1 810	<15									14,4	28,9			
329 N	R1											14,3		28,5						
	R2											16,0		32,0						
	R3											18,9		37,8						
	R4	/	/	/	/	/	/	/	/	/	4200 W	22,5	8400 W	45,0						
	R5											27,1		54,2						
	R6											35,1		70,3						
	R7											48,0		96,0						
329 SP N	R1	875	14 100	5 220	3 600	5 000	45	1400 W	4,8	2800 W	9,5	/	/	/	/					
	R2	780	13 000	4 870	3 330	4 740	42									5,3	10,7			
	R3	660	11 500	4 340	2 950	4 450	38									6,3	12,6			
	R4	555	10 200	3 840	2 550	4 180	34									7,5	15,0			
	R5	460	8 740	3 340	2 190	3 910	30									9,0	18,1			
	R6	355	6 970	2 730	1 760	3 420	25									11,7	23,4			
	R7	260	5 290	2 120	1 370	2 840	18									16,0	32,0			
331 N	R1	1040	14 000	6 070	4 570	6 880	42	1800 W	5,1	3600 W	10,3	5400 W	15,4	10800 W	30,8					
	R2	915	12 800	5 570	4 140	6 470	39									5,8	11,7	17,5	35,1	
	R3	775	11 400	4 940	3 630	5 940	35									6,9	13,8	20,7	41,4	
	R4	630	9 780	4 240	3 070	5 330	31									8,5	17,0	25,5	50,9	
	R5	520	8 430	3 660	2 610	4 800	27									10,3	20,6	30,8	61,7	
	R6	410	6 900	2 980	2 100	4 180	21									13,0	26,1	39,1	78,2	
	R7	295	5 290	2 280	1 580	3 400	<15									18,1	36,2	54,4	108,7	
333 N	R1	1270	19 100	6 580	4 760	8 080	46	2300 W	5,4	4600 W	10,8	6900 W	16,1	13800 W	32,3					
	R2	1210	18 500	6 370	4 600	7 890	46									5,6	11,3	16,9	33,9	
	R3	1120	17 700	6 070	4 350	7 620	44									6,1	12,2	18,3	36,6	
	R4	1010	16 400	5 700	4 050	7 230	41									6,8	13,5	20,3	40,6	
	R5	875	14 800	5 150	3 640	6 710	38									7,8	15,6	23,4	46,8	
	R6	740	13 000	4 560	3 210	6 110	34									9,2	18,5	27,7	55,4	
	R7	580	10 700	3 660	2 540	5 290	29									11,8	23,6	35,3	70,7	

Standard factory wiring

The average difference between power levels and pressure levels is set at 12 dB for models 325 N to 329 N and 14 dB for models 331 N and 333 N.

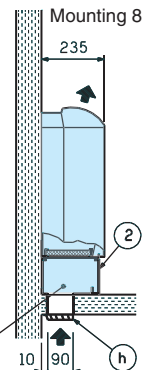
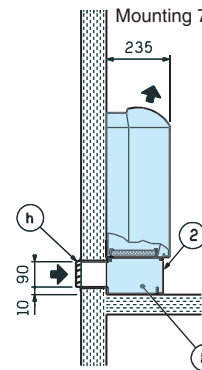
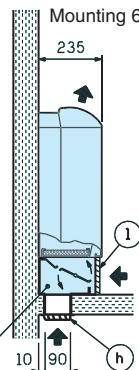
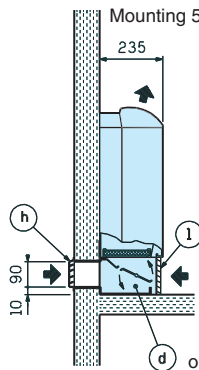
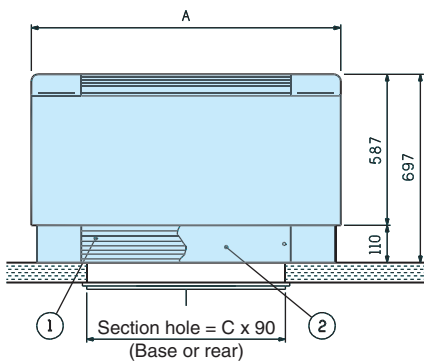
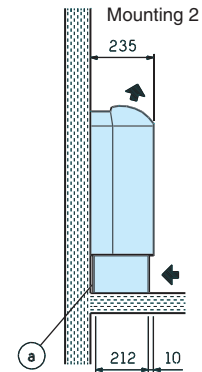
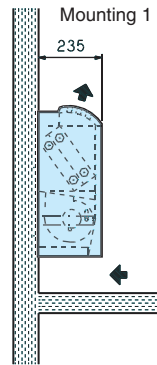
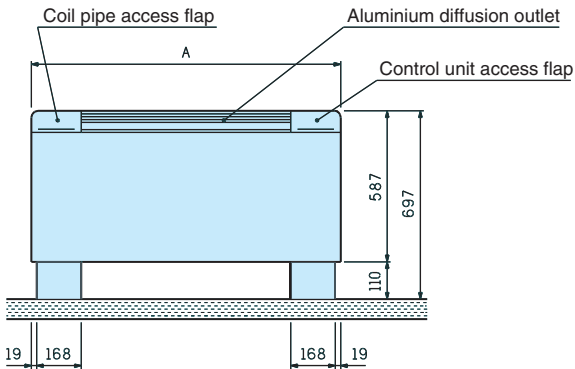
(1) PLEASE NOTE: the discharge temperature must not exceed 65°C (CIAT recommendation).

DIMENSIONS OF CV MODEL - WALL MOUNTING

Mounting 1 - 2 → total indoor air return

Mounting 5 - 6 → indoor and outdoor air return with by-pass flap

Mounting 7 - 8 → total outdoor air return



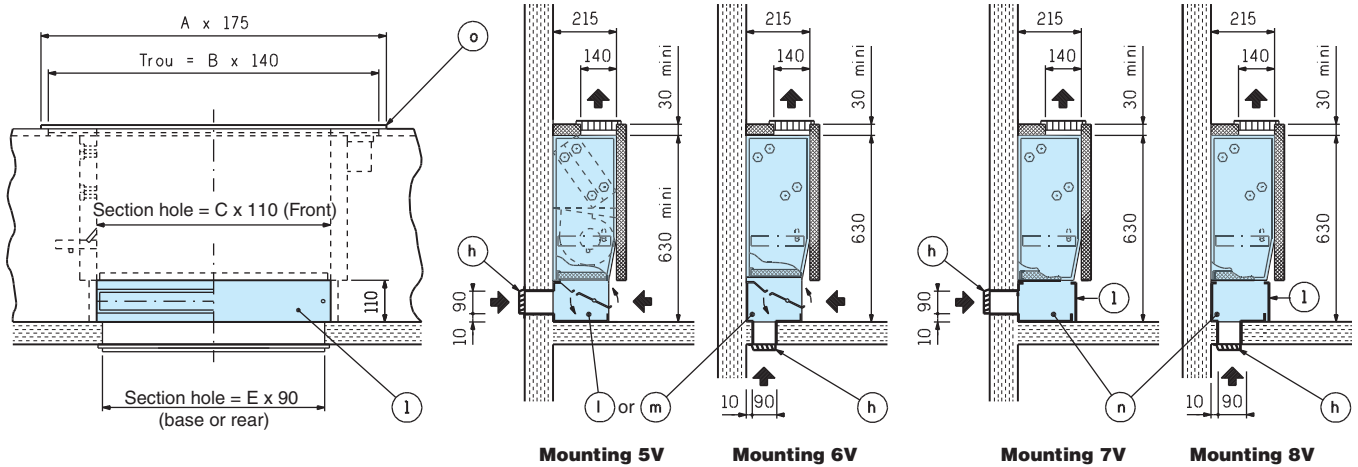
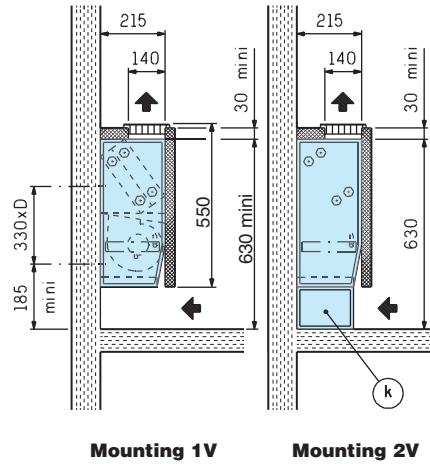
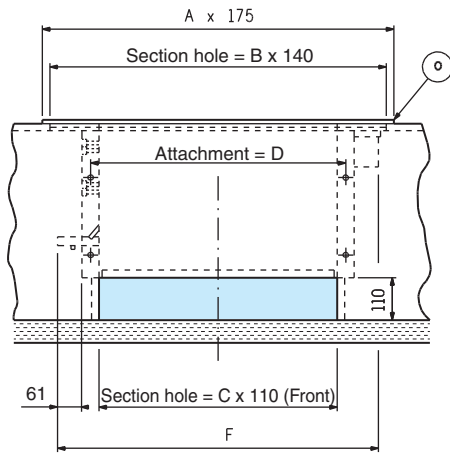
Accessories (supplied separately)

- a Support feet
- d Indoor/outdoor air return box with grille ① for filter removal
- e Indoor/outdoor air return box with grille fitted with a louvre control servo-motor
- g Total outdoor air return box with detachable panel ② for filter removal
- h Aluminium grille and telescopic connector (optional). Layout 2 can be equipped with an aluminium indoor air return grille identical to mounting 5 and 6 (accessory b).

MAJOR	A	B	C	Unit mass in kg			
				1	2	5 - 6	7 - 8
325 N	825	500	430	26	28	32	30
327 SP N	975	650	580	29	31	36	33
329 SP N	1175	850	780	36	38	44	41
331 N	1375	1050	980	42	44	51	47
333 N	1575	1250	1180	49	51	60	55

NCV MODEL DIMENSIONS

- Mounting 1 V** → wall - mounting - total indoor air return
- Mounting 2 V** → with legs - total indoor air return
- Mounting 5 V - 6 V** → indoor and outdoor air return with by-pass louvre
- Mounting 7 V - 8 V** → total outdoor air return



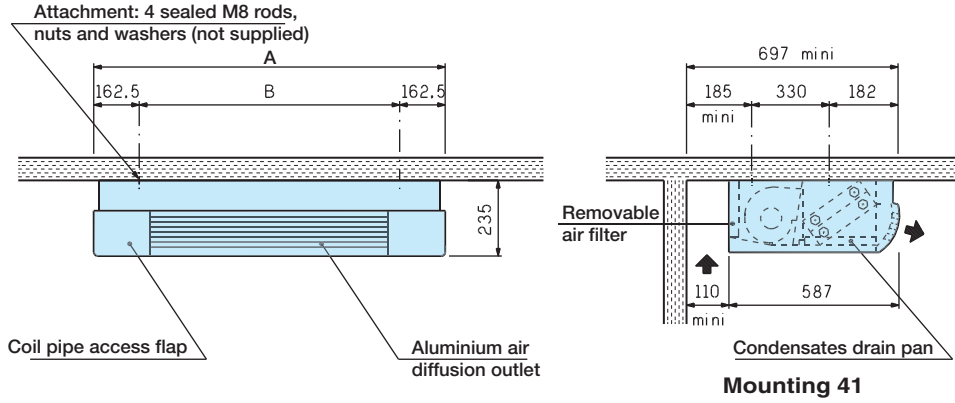
Accessories (supplied separately)

- h Aluminium grille and telescopic connector (optional)
- k Support base
- l Indoor/outdoor air return box
- m Indoor/outdoor air return box equipped with a louvre control servo-motor
- n Total outdoor air return box with detachable panel ① for filter removal
- o Aluminium diffusion grille with hatch (optional)

MAJOR	A	B	C	D	E	F	Mass in kg
325 N	910	875	450	500	430	720	19
327 SP N	1060	1025	600	650	580	870	24
329 SP N	1260	1225	800	850	780	1070	30
331 N	1460	1425	1000	1050	980	1270	36
333 N	1660	1625	1200	1250	1180	1470	41

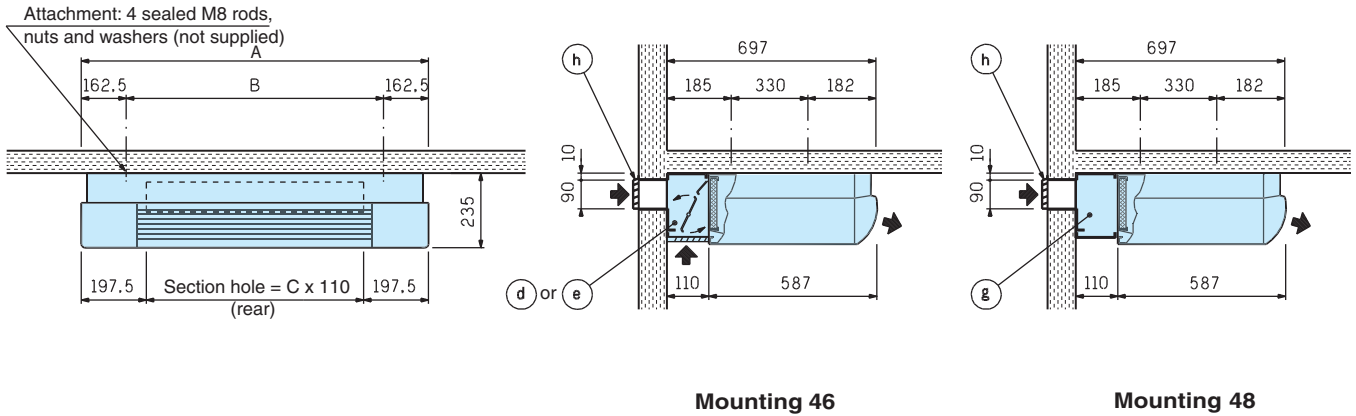
CH MODEL DIMENSIONS

Mounting 41 → total indoor air return at rear



Mounting 46 → indoor and outdoor air return with by-pass louvre

Mounting 48 → total indoor air return



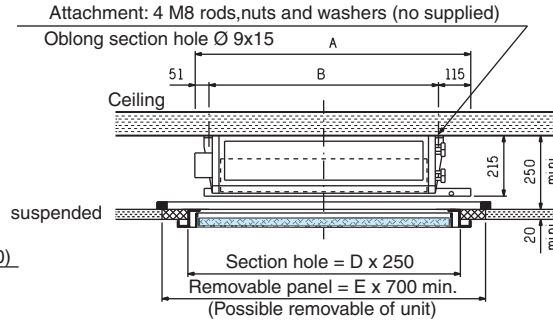
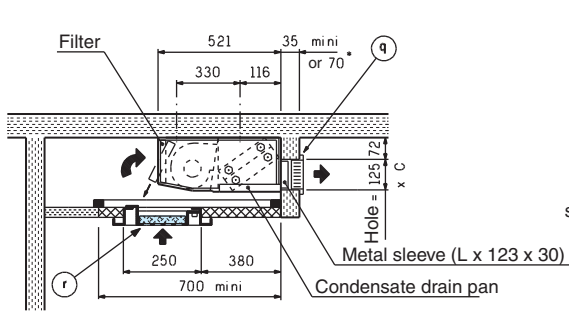
Accessories (supplied separately)

- d Indoor / outdoor air return box with return grille for filter removal
- e Indoor / outdoor air return box with return grille equipped with a louvre control servo-motor
- g Total outdoor air return box with setachable panel for filter removal
- h Aluminium grille and telescopic connector

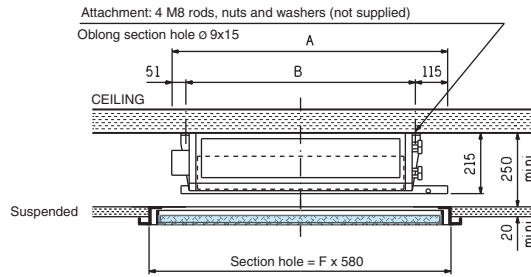
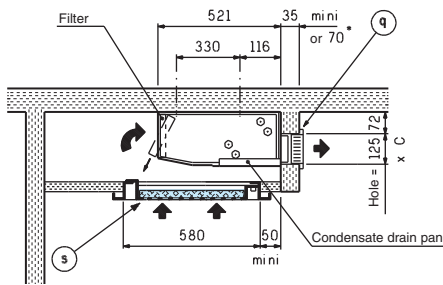
MAJOR	A	B	C	Unit mass in kg		
				41	46	48
325 N	825	500	430	27	33	31
327 SP N	975	650	580	31	38	35
329 SP N	1175	850	780	38	46	43
331 N	1375	1050	980	44	53	49
333 N	1575	1250	1180	50	61	56

NCH MODEL DIMENSIONS - STANDARD MOUNTING

Grille N° 51 → indoor air return (small grille)

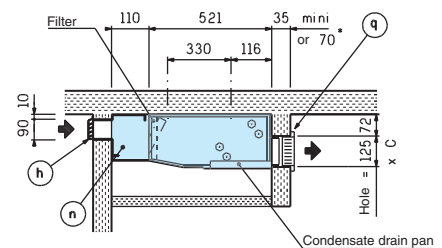
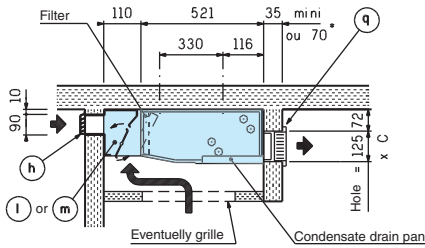


Grille N° 52 → indoor air return (large grille)



Mounting 56 → indoor and outdoor air return with by-pass louvre

Mounting 58 → All outdoor air return



Accessories (supplied separately)

- h Aluminium grille and telescopic connector
- l Indoor/outdoor air return box
- m Indoor/outdoor air return box equipped with a louvre control servo-motor
- n Total outdoor air return box with detachable panel (1) for filter removal

- q Air diffusion nozzle in aluminium with frame to be embedded
- r Air return grille N° 51
- s Air return grille N° 52
- * If the frame is used for sealing

MAJOR	A	B	C	D	E	F	L	Mass kg	Mass kg with grille			
									N° 51	N° 52	N° 56	N° 58
325 N	666	500	450	550	700	850	448	20	20	23	20	22
327 SP N	816	650	600	900	1050	850	598	25	25	28	25	27
329 SP N	1016	850	800	900	1050	1050	798	31	31	34	31	33
331 N	1216	1050	1000	1300	1450	1450	998	37	37	41	37	39
333 N	1416	1250	1200	1300	1450	1450	1198	42	42	46	42	44



h Aluminium grille and telescopic sleeve.



q Aluminium air outlet with framework to be sealed.



r s Air recovery grille N°51/52.

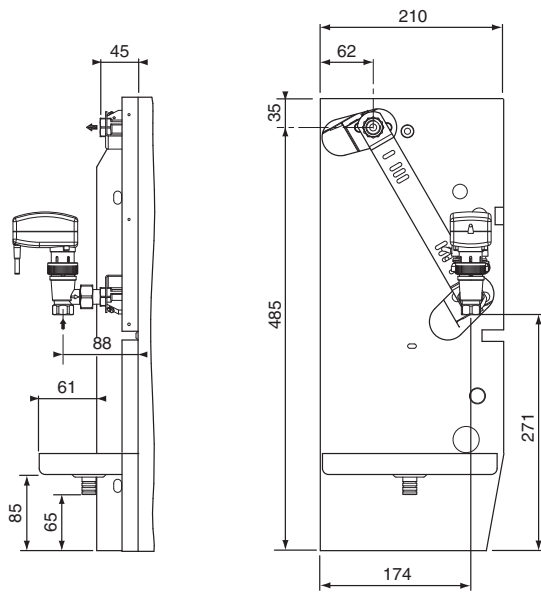


HYDRAULIC CONNECTIONS WITH VALVE MOUNTING

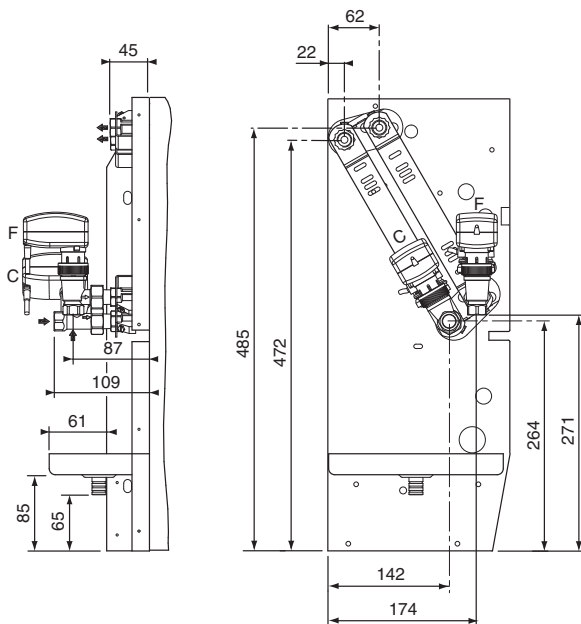
Not provided with the standard unit.

With 2-way thermal valve assembly for electromechanical controls and V30 and V200 electronic controls.

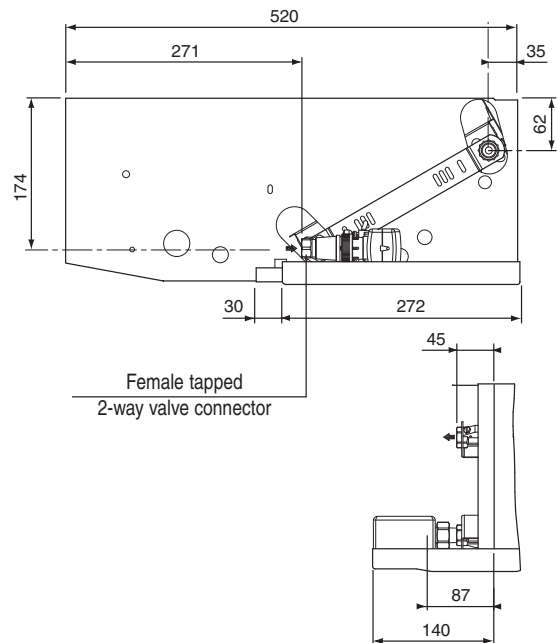
CV / NCV MODEL
2-pipe system



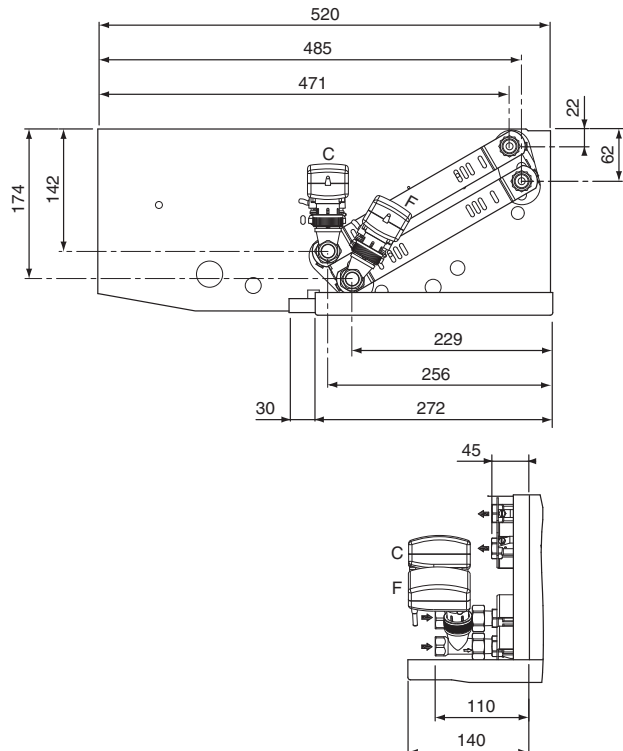
4-pipe system



CH/NCH MODEL
2-pipe system



4-pipe system



The views are represented with connections on the left of the unit. For connections on the right, take the symmetry.

Note: The views of valve actuators are representative only and not contractual.

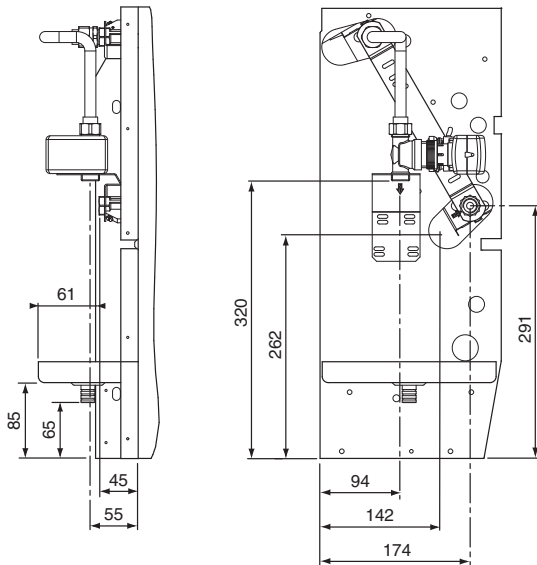


HYDRAULIC CONNECTIONS WITH VALVE MOUNTING

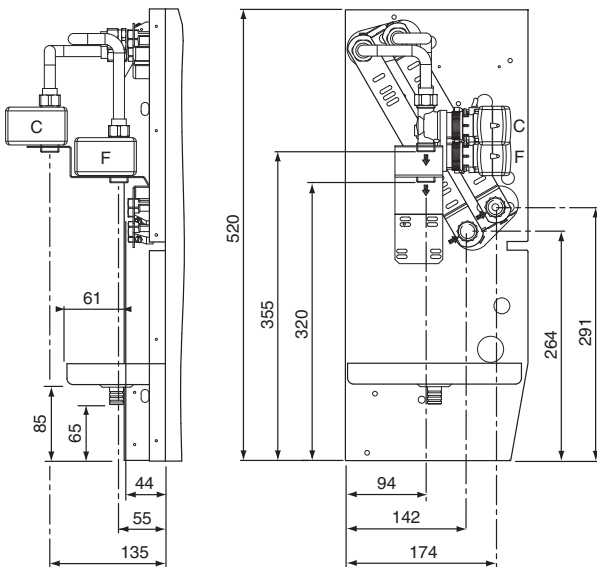
Not provided with the standard unit

With 3-pin 2-way valve assembly for V2000® and V3000 electronic controls

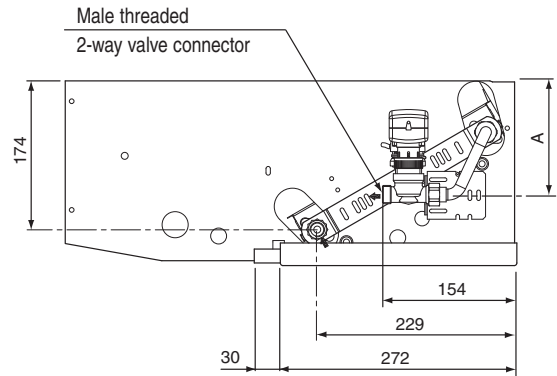
CV / NCV MODEL 2-pipe system



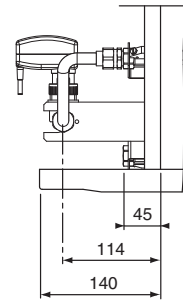
4-pipe system



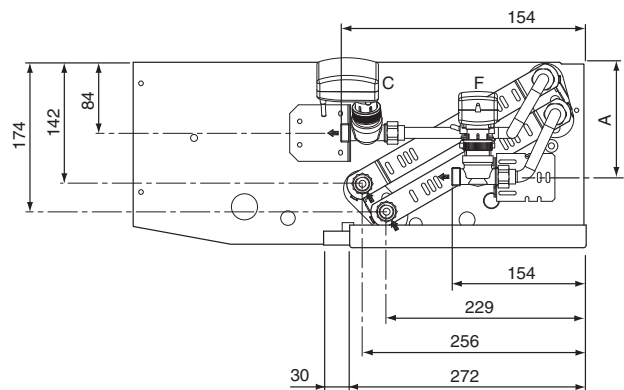
CH / NCH MODEL 2-pipe system



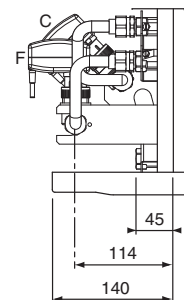
A = 114 (325 N to 329 N)
 = 134 (331 N to 333 N)



4-pipe system



A = 114 (325 N to 329 SPN)
 = 134 (331 N to 333 N)



The views are represented with connections on the left of the unit. For connections on the right, take the symmetry.

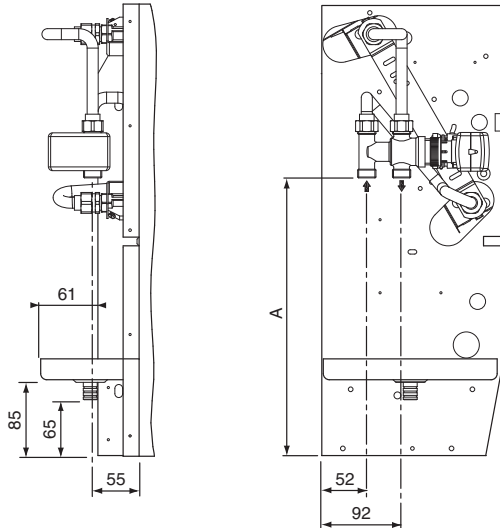
Note: The views of valve actuators are representative only and not contractual.

HYDRAULIC CONNECTIONS WITH VALVE MOUNTING

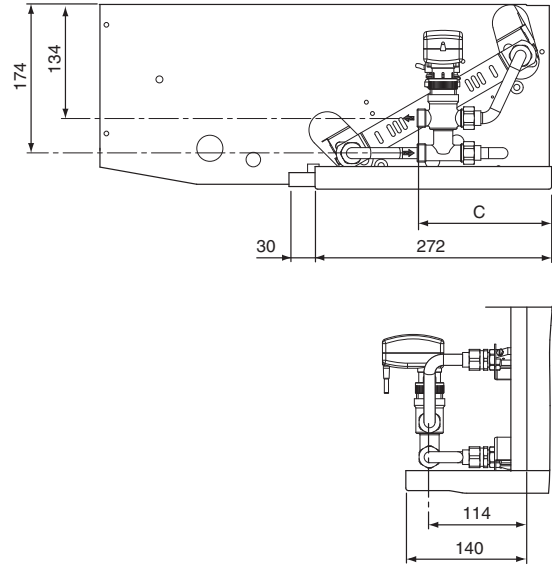
Not provided with the standard unit

With 3-way valves + bypass assemblies for all types of CIAT control (thermal or 3-pin)

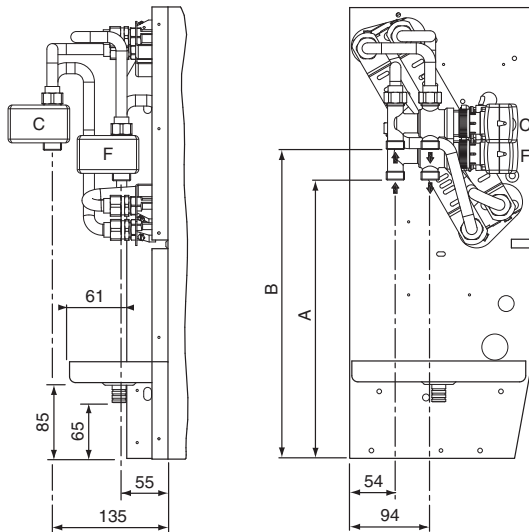
CV / NCV MODEL
2-pipe system



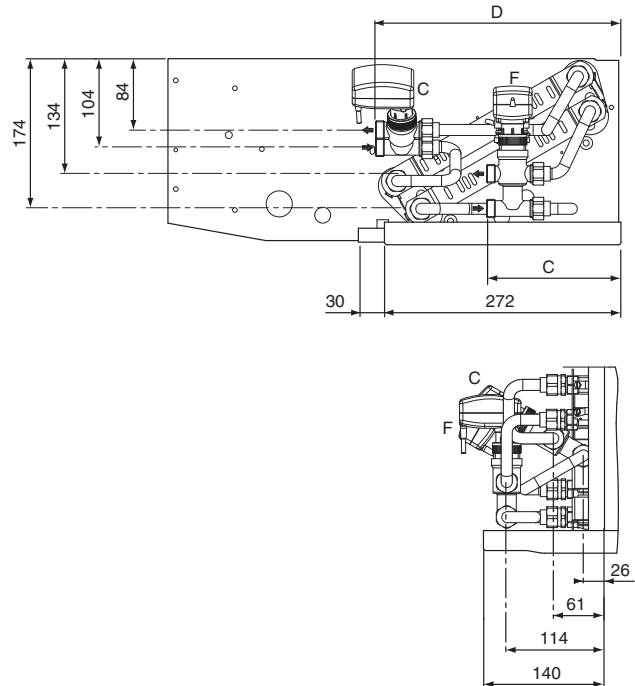
CH / NCH MODEL
2-pipe system



4-pipe system



4-pipe system



The views are represented with connections on the left of the unit. For connections on the right, take the symmetry.

Note: The views of valve actuators are representative only and not contractual.

	A	B	C	D
Electromechanical controls	320	355	154	181
Electronic V30 and V200 control				
Electronic V2000® V3000 control	324	359	150	277



TECHNICAL CHARACTERISTICS

Technical characteristics of 230V- 1ph-50Hz motors

MAJOR 300	Motor ref.	325 N	327 SP N	329 SP N	331 N	333 N
Power input (w)	R1	56	58	96	104	126
	R2	49	50	83	89	114
	R3	43	44	71	74	101
	R4	38	38	61	64	92
	R5	35	35	56	58	86
	R6	32	32	51	53	81
	R7	29	28	47	47	75
Absorbed intensity (A)	R1	0,24	0,25	0,42	0,45	0,55
	R2	0,21	0,22	0,36	0,39	0,5
	R3	0,19	0,19	0,31	0,32	0,44
	R4	0,16	0,16	0,27	0,28	0,4
	R5	0,15	0,15	0,24	0,25	0,37
	R6	0,14	0,14	0,22	0,23	0,35
	R7	0,13	0,12	0,2	0,2	0,33

Coil contents (liters)

MAJOR 300		325 N	327 SP N	329 SP N	331 N	333 N
2-pipe system	Heating and cooling coil	0.4	0.7	0.96	1.8	2.2
	Cooling coil	0.51	0.9	1.2	2.3	2.8
4-pipe system	Heating coil	0.13	0.2	0.29	0.49	0.6

Coil outlet diameters (female tapped connectors)

MAJOR 300		325 N	327 SP N	329 SP N	331 N	333 N
2-pipe system	Heating and cooling coil	G 3/8"	G 3/8"	G 3/8"	G 1/2"	G 1/2"
	Cooling coil	G 3/8"	G 3/8"	G 3/8"	G 1/2"	G 1/2"
4-pipe system	Heating coil	G 3/8"	G 3/8"	G 3/8"	G 3/8"	G 3/8"

2-way valve outlet diameters (female tapped connectors) (RTR, V30, V200)

MAJOR 300		325 N	327 SP N	329 SP N	331 N	333 N
2-pipe system	Heating and cooling coil	G 3/8"	G 3/8"	G 3/8"	G 1/2"	G 1/2"
	Cooling coil	G 3/8"	G 3/8"	G 3/8"	G 1/2"	G 1/2"
4-pipe system	Heating coil	G 3/8"	G 3/8"	G 3/8"	G 3/8"	G 3/8"

2-way (V2000®, V3000) and 4 way (all controls) valves outlet diameters (male threaded connector)

MAJOR 300		325 N	327 SP N	329 SP N	331 N	333 N
2-pipe system	Heating and cooling coil	G 1/2"	G 1/2"	G 1/2"	G 1/2"	G 1/2"
	Cooling coil	G 1/2"	G 1/2"	G 1/2"	G 1/2"	G 1/2"
4-pipe system	Heating coil	G 1/2"	G 1/2"	G 1/2"	G 1/2"	G 1/2"

PLEASE NOTE: for 2-way valves, connectors are not always identical. The different table should be used correctly.

Ex: NCH 329 SP N - 2-pipe equipment with 2-way valve:

- V30: 3/8" female tapped coil connection and 3/8" female threaded valve
- V3000: 3/8" female tapped coil connection and 1/2" male threaded valve



Basic unit without accessories with fan motor assembly unit, connected to a 3 speed control box and electrical heater (if required) connected to terminal block without relay, equipped with a Eurovent G3 class air filter.

Major 300		Basic unit								
		Water coil only				Water coil + electric heater				
		Connectors on left		Connectors on right		Connectors on left		Connectors on right		
		2-pipe system	4-pipe system	2-pipe system	4-pipe system	2-pipe + 2 wire system		2-pipe + 2 wire system		
						1R	2R	1R	2R	
CV mounting 1	325 N	Code	<input type="checkbox"/> 5850910	5850915	5850924	5850929	600 w	1200 w	600 w	1200 w
			•	•	•	•	•	•	•	•
	327 SP N	Code	<input type="checkbox"/> 5852001	5852009	5852013	5852015	900 W	1800 W	900 W	1800 W
			•	•	•	•	•	•	•	•
	329 SP N	Code	<input type="checkbox"/> 5852002	5852010	5852014	5852016	1400 W	2800 W	1400 W	2800 W
			•	•	•	•	•	•	•	•
	331 N	Code	<input type="checkbox"/> 5850913	5850918	5850927	5850932	1800 W	3600 W	1800 W	3600 W
			•	•	•	•	•	•	•	•
	333 N	Code	<input type="checkbox"/> 5850914	5850919	5850928	5850933	2300 W	4600 W	2300 W	4600 W
			•	•	•	•	•	•	•	•
NCV mounting 1V	325 N	Code	<input type="checkbox"/> 5850818	<input type="checkbox"/> 5850823	5850832	5850837	600 W	1200 W	600 W	1200 W
			•	•	•	•	•	•	•	•
	327 SP N	Code	<input type="checkbox"/> 5852003	<input type="checkbox"/> 5852019	5852023	5852025	900 W	1800 W	900 W	1800 W
			•	•	•	•	•	•	•	•
	329 SP N	Code	<input type="checkbox"/> 5852004	<input type="checkbox"/> 5852020	5852024	5852026	1400 W	2800 W	1400 W	2800 W
			•	•	•	•	•	•	•	•
331 N	Code	<input type="checkbox"/> 5850821	<input type="checkbox"/> 5850826	5850835	5850840	1800 W	3600 W	1800 W	3600 W	
		•	•	•	•	•	•	•	•	
333 N	Code	<input type="checkbox"/> 5850822	<input type="checkbox"/> 5850827	5850836	5850841	2300 W	4600 W	2300 W	4600 W	
		•	•	•	•	•	•	•	•	

See control devices sheet for a complete offer

Units are in stock to meet your requirements as quickly as possible.



Fan coil units

MAJOR 300

Basic unit without accessories with fan motor assembly unit and electrical heater (if required) connected to terminal block without relay, equipped with a Eurovent G3 class air filter.

Major 300		Basic unit								
		Water coil only				Water coil + electric heater				
		Connectors on left		Connectors on right		Connectors on left		Connectors on right		
		2-pipe system	4-pipe system	2-pipe system	4-pipe system	2-pipe + 2 wire system		2-pipe + 2 wire system		
						1R	2R (1)	1R	2R	
CH mounting 41	325 N	Code	<input type="checkbox"/> 5851094	5851099	5851109	5851114	600 w	1200 w	600 w	1200 w
			•	•	•	•	•	•	•	•
	327 SP N	Code	<input type="checkbox"/> 5852005	5852029	5852033	5852035	900 W	1800 W	900 W	1800 W
			•	•	•	•	•	•	•	•
	329 SP N	Code	<input type="checkbox"/> 5852006	5852030	5852034	5852036	1400 W	2800 W	1400 W	2800 W
			•	•	•	•	•	•	•	•
331 N	Code	<input type="checkbox"/> 5851097	5851102	5851112	5851117	1800 W	3600 W	1800 W	3600 W	
		•	•	•	•	•	•	•	•	
333 N	Code	<input type="checkbox"/> 5851098	5851103	5851113	5851118	2300 W	4600 W	2300 W	4600 W	
		•	•	•	•	•	•	•	•	
NCH	325 N	Code	<input type="checkbox"/> 5851002	<input type="checkbox"/> 5851007	5851016	5851021	600 W	1200 W	600 W	1200 W
			•	•	•	•	•	•	•	•
	327 SP N	Code	<input type="checkbox"/> 5852007	<input type="checkbox"/> 5852039	5852043	5852045	900 W	1800 W	900 W	1800 W
			•	•	•	•	•	•	•	•
	329 SP N	Code	<input type="checkbox"/> 5852008	<input type="checkbox"/> 5852040	5852044	5852046	1400 W	2800 W	1400 W	2800 W
			•	•	•	•	•	•	•	•
331 N	Code	<input type="checkbox"/> 5851005	<input type="checkbox"/> 5851010	5851019	5851024	1800 W	3600 W	1800 W	3600 W	
		•	•	•	•	•	•	•	•	
333 N	Code	<input type="checkbox"/> 5851006	<input type="checkbox"/> 5851011	5851020	5851025	2300 W	4600 W	2300 W	4600 W	
		•	•	•	•	•	•	•	•	

See control devices sheet for a complete offer

Units are in stock to meet your requirements as quickly as possible.



Basic unit without accessories, without water coil, with shrouded 230 V electrical heaters without relay, two temperature limiter, with electric box on right.

* Units with fan motor assembly unit connected to a 3-speed built-in terminal.

Major 300			Basic unit				
			Electric battery				
			Mounting 1	Mounting 41	Mounting 1 v	Mounting std	
			CV *	CH	NCV *	NCH	
3 electrical heaters (2)	325 N	1800 W (3x600)	Code	5850992	5851177	5850900	5851084
	327 N	2700 W (3x900)	Code	5850994	5851179	5850902	5851086
	329 N	4200 W (3x1400)	Code	5850996	5851181	5850904	5851088
	331 N	5400 W (3x1800)	Code	5850998	5851183	5850906	5851090
	333 N	6900 W (3x2300)	Code	5851000	5851185	5850908	5851092
6 electrical heaters (1)	325 N	3600 W (6x600)	Code	5850993	5851178	5850901	5851085
	327 N	5400 W (6x900)	Code	5850995	5851180	5850903	5851087
	329 N	8400 W (6x1400)	Code	5850997	5851182	5850905	5851089
	331 N	10800 W (6x1800)	Code	5850999	5851184	5850907	5851091
	333 N	13800 W (6x2300)	Code	5851001	5851186	5850909	5851093

(1): Only for units operating with fresh air return.
(mount. 5, 6, 7, 8, 5V, 6V, 7V, 8V, 46, 48, 56 et 58).

Wiring in 3 ph, or 1 ph on site.

IMPORTANT NOTE: It is essential that the electrical supply to the electric heaters be dependent on the fan. Any deliberate interruption of the fan motor assembly unit demands that the supply to these heaters be cut.

Check that the mean air temperature rise at the air discharge is compatible with your application.

(2): * See All Electrical 3 heaters control sheets for a complete offer.



Fan coil units

MAJOR 300

Accessories (supplied separately)*

CV	CH	NCV	NCH	Mounting	Description		325 N	327 SP N	329 SP N	331 N	333 N
•				2	a Support feet	P01			5801616		
•				2	b Aluminium grille for indoor return air	G02	5801491	5801492	5801493	5801494	5801495
•				2	c Painted rear panel, pale grey RAL 9002, delivered separately	T01	5801617	5801618	5801619	5801620	5801621
•	•			5-6-46	d Indoor and outdoor air return box with air return grille for access to the filter	B01	5801451	5801452	5801453	5801454	5801455
•	•			5-6-46	e Indoor and outdoor air return box with air return grille equipped with servo-motor (f), installed on the left (mind the piping).	B05					
•	•			7-8-48	g Total outdoor air return box with detachable panel for filter removal	B02	5801486	5801487	5801488	5801489	5801490
•	•	•	•	5-6-7-8 46-48 5V-6V 7V-8V 56-58	h Aluminium grille with telescopic sleeve	G01	5039965	5039966	5039967	5039968	5039969
•		•		tous	i Auxiliary drain pan	BA1			5039971		
	•			41	j Punched steel sheet air return grille, pale grey RAL 9002, delivered separately	G25	5801622	5801623	5801624	5801625	5801626
		•		2V	k Support base	S01			5801447		
		•	•	5V-6V 56	l Indoor and outdoor air return box	B03	5035168	5035169	5035170	5035171	5035172
		•	•	5V-6V 56	m Indoor and outdoor air return box with servo-motor (f), installed on the left (mind the piping)	B06	5102394	5102395	5102396	5102397	5102398
		•	•	7V-8V 58	n Total outdoor air return box with detachable panel for filter removal	B04	5035127	5035128	5035129	5035130	5035131
		•		/	o Aluminium outlet grille with access trap	B02	5201435	5201436	5201437	5201438	5201439
	•		•	All	p Wall speed selector	BT2			5201030		
		•		/	q Aluminium outlet grille with frame to be embedded	B01	5801573	5801574	5801575	5801576	5801577
		•		/	r Air return grille n°51 (white RAL 9010)	G03	5039874	5039875		5039876	
		•		/	s Air return grille n°52 (white RAL 9010)	G04	5039877	5039878		5039879	

Accessories are in stock to meet your requirements at short notice.

Accessories (mounted on the unit)

CV	CH	NCV	NCH	Montage	Description		325 N	327 SP N	329 SP N	331 N	333 N
•		•		All	Condensates draining pump mounted on the unit with overflow safety device. <ul style="list-style-type: none"> 7l/h maximum flow for 1m draining height and 5m maximal length of piping. 6l/h maximum flow for 1m draining height and 10m maximal length of piping. Draining: 8mm internal diameter flexible tube, 8mm diameter nozzle. For higher drain heights, consult us. Draining: 6 mm internal diameter flexible tube, 8 mm diameter nozzle. This accessory must be added to each valve control in order to allow slaving the overflow safety device to the valve closing (condensates stopped). Approximate calculation of the condensed water flow: $\frac{P_{total} - P_{sensible} (W)}{680}$	PB1			E038415		
		•		All	Reinforced insulation of NCH drain pan for humid climates		E043257	E043265	E043273	E043281	E043303



UNITS WITH AIR CONTROL IN STOCK

AIR CONTROL		Application	Diagram		325 N	327 SP N	329 SP N	331 N	333 N	
Wall-mounted thermostat	CV	Major 300 CV, 2 tubes on left		Unit code (a)	5850910	5852001	5852002	5850913	5850914	
		Dial thermostat - heating or cooling only. 0-HS-MS-LS switch on Major	Heating RTR-E 6721	5950951	RTR-E code (1)	5201027				
			Cooling RTR-E 6721	5950964	Total price (a+1)	●	●	●	●	●
		Dial thermostat -heating/cooling with manual inverter -0-HS-MS-LS switch on Major	RTR-E 6731		5950944	RTR-E code (2)	5201028			
				Total price (a+2)	●	●	●	●	●	
	NCV	Major 300 NCV, 2 tubes on left		Unit code (b)	5850818	5852003	5852004	5850821	5850822	
		Dial thermostat - heating or cooling only. 0-HS-MS-LS switch on Major	Heating RTR-E 6721	5950951	RTR-E code (1)	5201027				
			Cooling RTR-E 6721	5950964	Total price (b+1)	●	●	●	●	●
		Dial thermostat -heating/cooling with manual inverter -0-HS-MS-LS switch on Major	RTR-E 6731		5950944	RTR-E code (2)	5201028			
				Total price (b+2)	●	●	●	●	●	
	CH	Major 300 CH, 2 tubes on left		Unit code (c)	5851094	5852005	5852006	5851097	5851098	
		On/Off + 3 speeds + manual dial - heating/cooling with manual toggle switch	RTR-E 7015		5950338	RTR-E code (3)	5201023			
			Total price (c+3)	●	●	●	●	●		
On/Off + 3 speeds + manual dial - heating or cooling only		COOLING RTR-E 7009	7191518	HEATING RTR-E 7009	RTR-E code (4)	7124612				
					Total price (c+4)	●	●	●	●	●
Wall-mounted V30 with +/- dial, 3 speeds - Heating/cooling with automatic changeover supplied as a kit		A34H		7175611	V30 (5) + CO sensor (6) code	7166781 + 7209243				
				Total price (c+5+6)	●	●	●	●	●	
Wall-mounted V30 with +/- dial, 3 speeds - Heating or cooling only	COOLING A32H	7175609		V30 (5) code	7166781					
	HEATING A30H	7175607		Total price (c+5)	●	●	●	●	●	
NCH	Major 300 NCH, 2 tubes on left		Unit code (d)	5851002	5852007	5852008	5851005	5851006		
	On/Off + 3 speeds + manual dial - heating/cooling with manual toggle switch	RTR-E 7015		5950338	RTR-E code (3)	5201023				
					Total price (d+3)	●	●	●	●	●
	On/Off + 3 speeds + manual dial - heating or cooling only	COOLING RTR-E 7009	7191518	HEATING RTR-E 7009	RTR-E code (4)	7124612				
					Total price (d+4)	●	●	●	●	●
	Wall-mounted V30 with +/- dial, 3 speeds - Heating/cooling with automatic changeover supplied as a kit	A34H		7175611	V30 (5) + CO sensor (6) code	7166781 + 7209243				
			Total price (d+5+6)	●	●	●	●	●		
Wall-mounted V30 with +/- dial, 3 speeds - Heating or cooling only	COOLING A32H	7175609		V30 (5) code	7166781					
	HEATING A30H	7175607		Total price (d+5)	●	●	●	●	●	

Units are in stock to meet your requirements at short notice.



Fan coil units

EUROVENT PERFORMANCES

CIAT takes part in the EUROVENT fan coil unit certification programme. In order to benefit from the latest updates, we advise you to consult the EUROVENT Internet site www.eurovent-certification.com.



MAJOR 300

● 2-pipe system

EUROVENT mode, 2-pipe system:

- Summer: cold water 7/12°C, air 27°C 19°C

- Winter: hot water inlet 50°C for determined water flow in summer temp. conditions, air 20°C

MAJOR 300	Motor reference	Sensible cooling capacity	Total cooling capacity	Total heating capacity	Dp heating	Dp cooling	Lw
		kW	kW	kW	kPa	kPa	dBA
325 N	R3	1,46	1,63	3,89	22,2	20,1	55
	R5	1,15	1,33	3,12	15	14	48
	R7	0,69	0,84	1,89	6,19	6,02	34
327 SP N	R2	1,88	2,34	5,78	16,8	14,2	56
	R4	1,57	1,99	4,79	12	10,6	49
	R7	0,85	1,14	2,53	3,83	3,8	32
329 SP N	R3	2,85	3,45	8,15	39,9	36,9	56
	R4	2,51	3,10	7,16	31,7	30,6	51
	R7	1,36	1,77	3,71	9,81	11,3	35
331 N	R1	3,95	4,55	9,97	13,7	13,7	61
	R3	3,10	3,65	8,08	9,33	9,2	54
	R6	1,78	2,16	4,86	3,7	3,45	39
333 N	R2	4,11	5,09	13,10	25,6	19,4	64
	R5	3,25	4,16	10,40	16,9	13,4	57
	R7	2,29	3,04	7,50	9,3	7,62	48

● 4-pipe system

EUROVENT mode, 4-pipe system:

- Summer: cold water 7/12°C, air 27°C WB 19°C

- Winter: hot water 70/60°C, air 20°C

MAJOR 300	Motor reference	Sensible cooling capacity	Total cooling capacity	Total heating capacity	Dp heating	Dp cooling	Lw
		kW	kW	kW	kPa	kPa	dBA
325 N	R3	1,49	1,66	1,33	2,07	29,8	55
	R5	1,18	1,37	1,21	1,75	21	48
	R7	0,72	0,88	0,95	1,15	9,44	34
327 SP N	R2	2,02	2,44	2,17	0,77	19,1	56
	R4	1,70	2,05	2	0,67	14	49
	R7	0,92	1,15	1,33	0,33	4,87	32
329 SP N	R3	2,79	3,68	3,28	2,83	49,4	56
	R4	2,42	3,25	3,1	2,57	39,7	51
	R7	1,29	1,79	2,07	1,26	13,8	35
331 N	R1	4,40	5,20	5,02	7,12	20,9	61
	R3	3,47	4,21	4,33	5,50	14,3	54
	R6	1,99	2,53	3,03	2,93	5,6	39
333 N	R2	4,37	5,44	5,72	12,70	26,3	64
	R5	3,45	4,36	4,85	9,51	17,7	57
	R7	2,40	3,08	3,82	6,25	9,4	48

Dp: Water pressure drop in kPa

Lw: Overall acoustic power in dBA