



**Simplicity** of installation

Large **choice** of single or double pumps

Insulated **double** wall casing

## USE

In order to carry out easily a refrigeration installation, the **MHJ** hydraulic module, compact and complete, fits between the packaged water chiller (up to approximately 180° Kw output) and the terminal units.

Installed in a plant room, sheltered from adverse weather and frost, these modules are mounted on a painted aluminium profile chassis, with double skin panels; thermally insulated casing in enamelled galvanized metal sheet (RAL 7024).

## HYDRAULIC PACK

### ■ Series MHJ

The PLUG and COOL solution offered by the MHJ pack.

The **MHJ** hydraulic pack integrates in series all the hydraulic circuit components required for a satisfactory operation of the installation :

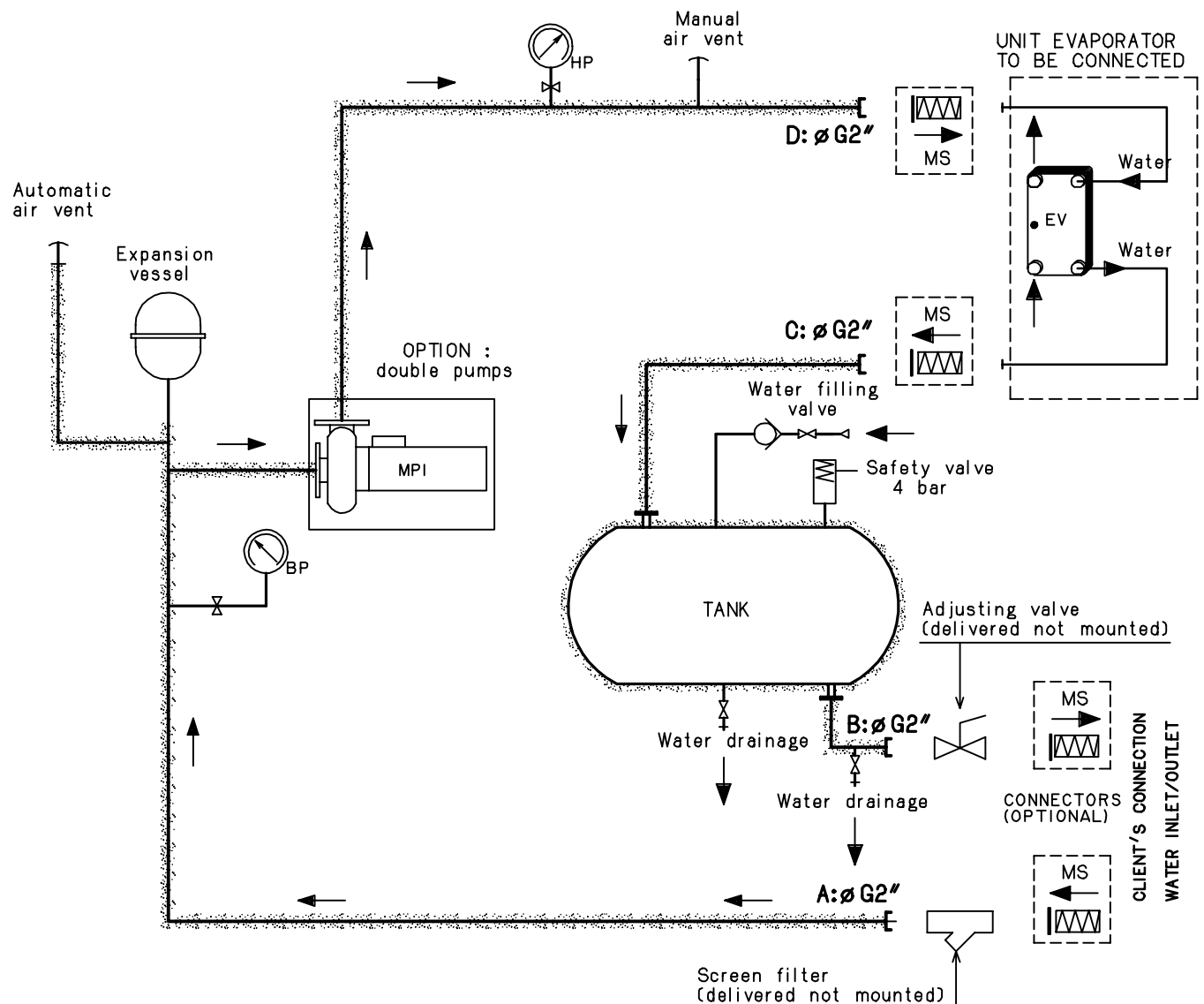
- Buffer tank (350 l), insulated (9 mm)
- Expansion vessel (30 l)
- Pressure gauges with isolating valves
- Draining circuit
- Automatic and manual purges
- Safety valve (4 bar)
- Filling hole with valves
- Water filter 600 µm
- Adjusting valve

- Large choice of single or double pumps controlled by the liquid cooler regulation module.

Being equipped with an hydraulic pack whose components are selected in an optimal way, mounted and tested in factory, its installation becomes a child's game. The fastidious operations of research for components, suppliers, connections.... are avoided.

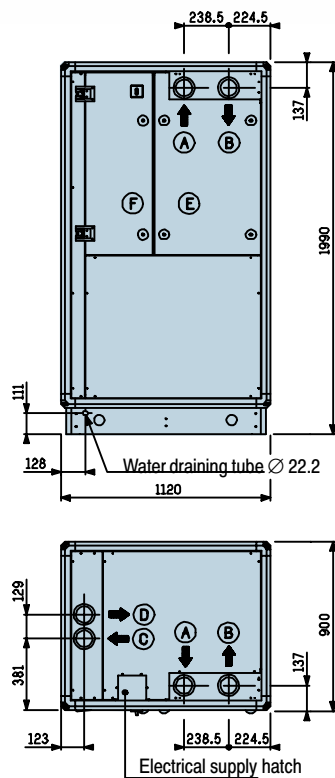
In short, the MHJ hydraulic pack optimizes the preparation time, the labour and the space required. Connecting and cooling become simple and economical.

## HYDRAULIC DIAGRAM



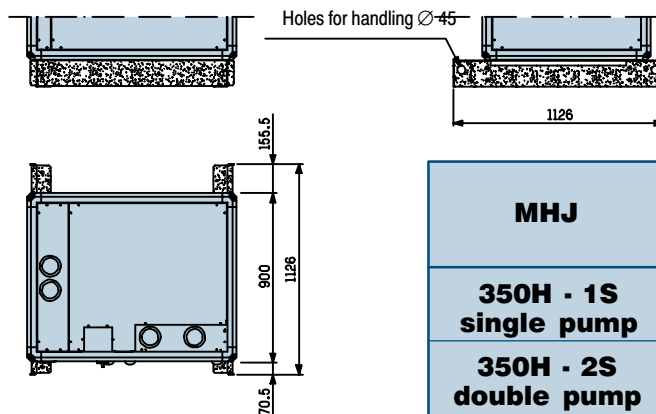


## DIMENSIONS



- (A) Installation return (G2" male connector)
- (B) Installation departure (G2" male connector)
- (C) Water chiller return (G2" male connector)
- (D) Water chiller departure (G2" male connector)
- (E) Pump access panel
- (F) Electrical panel door

### ■ Details of handling girders (to be withdrawn after definitive positioning of the hydraulic module)



MHJ	Mass kg	
	Empty	In service
<b>350H - 1S single pump</b>	341	701
<b>350H - 2S double pump</b>	454	818