

Low temperature **air conditioners**

Neva

Advantages for installers

- Console, under-window or below-ceiling mounting
- Electromechanical control
- All-season operation as standard
- Remote thermostat

Advantages for home-owners

- Cools to 12-18°C
- Ideal for air conditioning of wine cellars



TECHNICAL SPECIFICATIONS (see installation instructions N 04.91 B)

NEVA			4	7	14
Cooling capacity [1]		W	1100	2100	3700
Power input		W	630	1000	1590
Max. current (cooling)		A	2.9	5.6	8.5
Air flow treated	HS / MS / LS	m ³ /h	540 / 460 / 390	875 / 720 / 620	1160 / 1045 / 915
Noise levels [2]	int. [LS] / ext.	dB(A)	35 / 35	35 / 36	38 / 41
Electrical power supply (on external module)		230 V - single-phase - 50 Hz + Earth			
Protection and fuses		A	4	6	10
Electrical connections		mm ²	3G1.5	3G1.5	3G1.5
Electrical links between units (not supplied)		mm ²	4G1.5	4G1.5	4G1.5
Refrigerant connections	Max. L - Max. H	m	15 / 7	15 / 10	
	Intake - liquid dia.		3/8" - 1/4"	1/2" - 1/4"	5/8" - 1/4"

[1] Indoor air: 12°C BS / 9°C BH - Outdoor air 35°C BS / 24°C BH.

[2] Sound pressure level: Indoor: 4 m, free field, directivity 2, ±3 dB(A) / Outdoor: 5 m, free field, directivity 2, ±3 dB

STANDARD EQUIPMENT

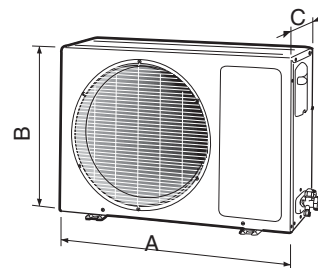
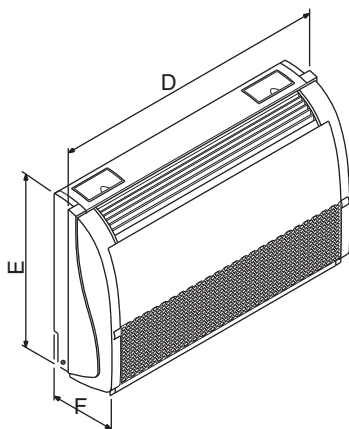
All-season operation (-15°C)	Included
Remote automatic heating/cooling thermostat	Included
Dual condensate drain pan	Included

PRICES EXC. VAT

NEVA		4	7	14
Code	Indoor unit	7072257	7072258	7072259
	Outdoor unit	7071615	7071616	7071617
Price of standard unit €		2001	2163	2596

NEVA		4	7	14	Code	€
Insulated 25 m coils	1/4"	■	■	■	7150130	107
	3/8"	■			7150131	153
	1/2"		■		7150132	202
	5/8"			■	7150133	286
Set of two quick couplings	1/4"	■	■	■	7150619	18
	3/8"	■			7150624	36
	1/2"		■		7150626	39
	5/8"			■	7150627	55
Electric heater kit	800 W	■			7075094	143
	1400 W		■		7075095	159
	2000 W			■	7075096	181
Outdoor unit bracket kit		■	■	■	7022011	100

DIMENSIONS



NEVA		4	7	14
A		800	800	900
B		555	555	606
C		250	250	300
D		940	1340	1540
E		580	580	580
F		243	243	243
Weight (kg)	Indoor unit	28	42	50
	Outdoor unit	33	36	52