



Centrifugal wheel mechanical roof extractors

V.E.G.A.

Approved for *smoke extraction*
F400/120

Rain protection guaranteed by
a large cover in ABS

Mounted cabled proximity switch



VEGA ATEX

CE 0081 Ex II 2 GD cT6



APPLICATION

You wish to extract air ? You have at your disposal a chimney or a vertical duct with external outlet :

The VEGA F400 roof-top will be the solution to your problem ! The very large range of flows/pressures will allow you to select the model to meet your expectations !

- Smoke extraction F400/120 as standard.
- Or operation with continuous clean air (60°C max.

temperature)
Numerous available motorizations make the new VEGA F400 roof-ventilator one of the largest ranges on the market.

Delivered in the horizontal discharge version, the VEGA F400 roof-ventilator is transformable, simply, in vertical air stream ; just add the optional "V" kit even after installation (except for models 800 and 900 and ATEX model).

RANGE

11 sizes : air flows from 0.11 to 8.33 m³/s.
Available depression up to 1000 Pa for certain models

(see curves on the following page)

CONSTRUCTION

Roof and "V" kit in ABS plastic grey RAL 7024 colour.
Galvanised base and grille.
" High performance " reaction centrifugal impeller in galvanized steel.

Mounted cabled proximity switch (except for ATEX).
V.E.G.A. ATEX model - specific metallic construction
IP 55 tropicalised Class F motors

OPTIONS AND ACCESSORIES

MOUNTING	ELECTRICAL
Automatic dampers – F400 / 120	Mounted cabled proximity switch
Bedding frame – F400 / 120	Mounted cabled circuit breaker
Tilting frame bedding for wheel cleaning – F400 / 120	Voltage variator
Roof crossing – F400 / 120	Frequency variator
Fixing frame for cylindrical duct	2-speed control box
Sound-proof stack	CONTROLVENT relay box
EPOXY paint – 60 Hz use : consult us	

ATEX Version : as per norm 94/9 CE – LCIE03 ATEX 6418W approval

Approved models : VEGA 205 to 560

Approved in **zone 1 or 21** and **zone 2 or 22**

Please note : the VEGA ATEX is not suitable for smoke extraction applications and no accessories are available for this version

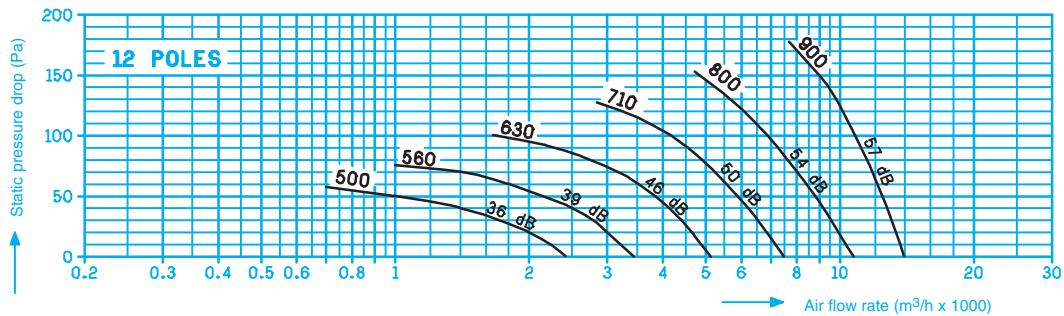
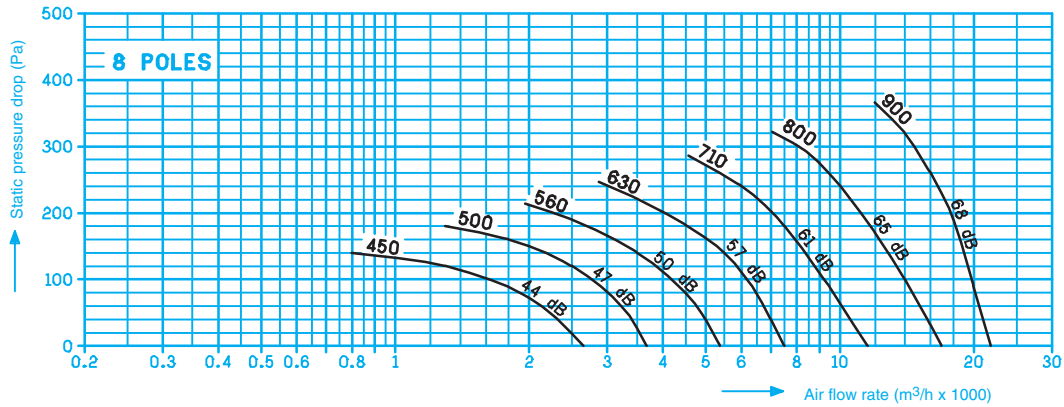
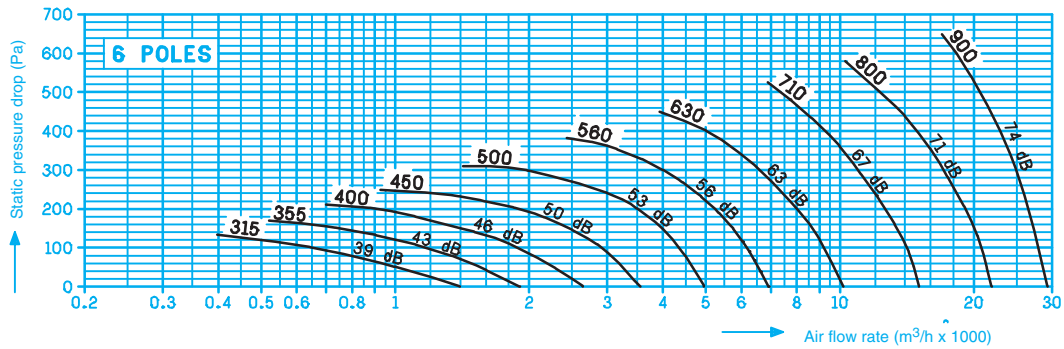
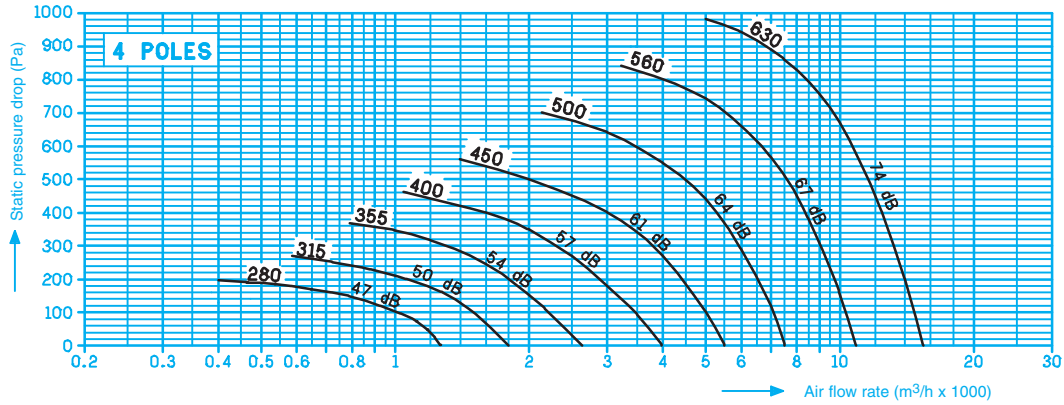


Centrifugal wheel mechanical roof extractors

V.E.G.A.

SELECTION CURVES

Air at +20 °C - Pressure 1013 hPa
50 Hz electrical power supply



Selection example

You are looking for a roof-ventilator with an air flow of 1000 m³/h and a duct pressure of 300 Pa.

You select a **V.E.G.A. F400 355 4 P**.

The sound level at 8 m outside is **54 dB(A)**

Sounds levels


The values indicated on the curves are acoustic pressure levels in dB(A) at a distance of 8 m in free field, directivity 2, precision ± 3 dB.

To obtain a pressure level (L_w), add 26 dB.



Centrifugal wheel mechanical roof extractors

V.E.G.A.

Motors	No. of poles	Rotation speed (rpm)	V.E.G.A. F400	280	315	355	400	450	500	560	630	710	800	900
1-ph - 230	4	1500	code	7111407	7111413	7111415	7111858	7111860						
1 speed* 3-ph - 230 / 400 V	4	1500	code				7111441	7111443	7111444	7111446	7111447			
1 speed* 3-ph - 230 / 400 V	6	1000	code		7111452	7111453	7111454	7111455	7111456	7111457	7111458	7111459	7111460	7111461
1 speed 3-ph - 230 / 400 V	8	750	code							7111501		7111503	7111505	Select one V.E.G.A. 6 / 8 P
2 speeds 3-ph - 400 V Single voltage	4 / 6	1500 / 1000	code				7111552	7111553	7111554	7111555				
2 speeds 3-ph - 400 V Single voltage	4 / 8	1500 / 750	code	7111558	7111560	7111561	7111562	7111563	7111565	7111566	7111567			
2 speeds 3-ph - 400 V Single voltage	6 / 8	1000 / 750	code					7111573	7111574	7111575	7111576	7111577	7111578	7111579
2 speeds 3-ph - 400 V Single voltage	6 / 12	1000 / 500	code						7111590	7111591	7111592	7111593	7111594	7111595
Optional Kit "V"		code		7004376			7004380			7004382		7004383		

* 3-ph - 400 / 700 V for V.E.G.A. models F400 630 4 P and 800 - 900 6 P

May be equipped with the options on the following pages

No CE smoke extraction certification or 3-phase 230 V version

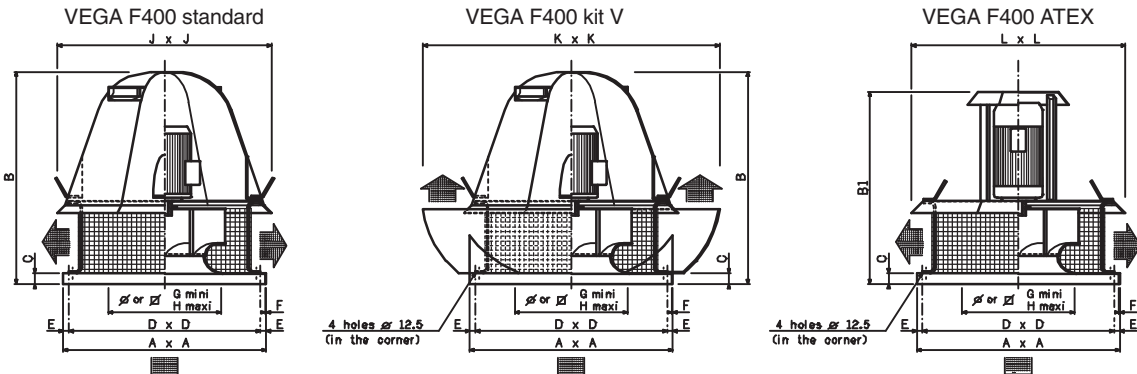
Information to be provided when ordering

V.E.G.A. F400 type roof extractor

Rotation speed P (rpm)

Supply voltage Volts - 50 Hz

DIMENSIONS



V.E.G.A. F400	A	B	B1	C	D	E	F	G	H	J	k	L	Mass kg	
													VEGA STAND	VEGA ATEX
280	460	512	483	36	412	24	1.5	320	350	486	670	527	22	25
315	460	512	483	36	412	24	1.5	320	350	486	670	527	23	26
355	610	643	584	36	562	24	1.5	435	465	632	910	676	30	33
400	610	643	584	36	562	24	1.5	435	465	632	910	676	32	35
450	610	643	584	36	562	24	1.5	435	465	632	910	676	34	37
500	750	785	714	46	702	24	2	595	625	774	1135	823	55	58
560	750	785	714	46	702	24	2	595	625	774	1135	823	60	63
630	937	970	-	46	889	24	2	685	715	948	1350	-	95	-
710	937	970	-	46	889	24	2	685	715	948	1350	-	110	-
800	1065	1128	-	46	1017	24	2	855	885	1170	-	-	160	-
900	1065	1128	-	46	1017	24	2	855	885	1170	-	-	190	-

ELECTRICAL CHARACTERISTICS

Three phase 400 V - 50 Hz (P in kW* / IN in A*) - motors 4/8 and 6/12 poles : DAHLANDER windings
 motors 4/6 and 6/8 poles : independent windings

V.E.G.A.	4 Poles	6 Poles	8 Poles	4 / 6 Poles	4 / 8 Poles	6 / 8 Poles	6 / 12 Poles
280	0,25 0,90	-	-	-	0,37 / 0,07 1,22 / 0,47	-	-
315	0,25 0,90	0,25 1,06	-	-	0,37 / 0,07 1,22 / 0,47	-	-
355	0,25 0,90	0,25 1,06	-	-	0,37 / 0,07 1,22 / 0,47	-	-
400	0,37 1,00	0,25 1,06	-	0,37 / 0,13 1,00 / 0,6	0,37 / 0,07 1,22 / 0,47	-	-
450	0,55 1,50	0,37 1,10	0,18 0,79	0,75 / 0,22 2,10 / 0,90	0,60 / 0,10 2,30 / 0,82	-	-
500	1,50 3,40	0,37 1,10	0,18 0,79	1,20 / 0,40 3,10 / 1,30	1,30 / 0,22 4,00 / 1,63	-	0,30 / 0,06 0,95 / 0,45
560	2,20 4,80	0,75 2,10	0,55 1,70	1,80 / 0,60 5,10 / 1,90	1,80 / 0,30 5,00 / 1,95	0,60 / 0,30 1,75 / 1,25	0,60 / 0,12 1,75 / 0,70
630	3,40 7,40	0,99 2,85	0,55 1,80	-	3,40 / 0,60 7,50 / 2,60	-	0,90 / 0,18 2,35 / 1,10
710	-	2,20 5,80	0,99 3,40	-	-	1,80 / 0,90 5,00 / 3,30	1,80 / 0,30 5,00 / 1,95
800	-	4,00 9,30	2,20 6,10	-	-	3,75 / 1,80 10,00 / 6,10	3,40 / 0,55 8,80 / 2,80
900	-	7,50 16,10	-	-	-	7,30 / 3,70 17,00 / 10,50	7,50 / 1,30 17,50 / 5,50

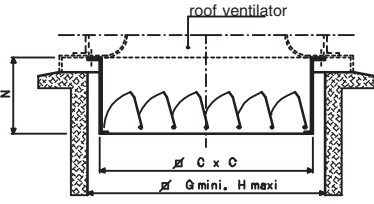
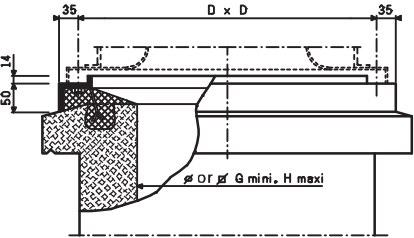

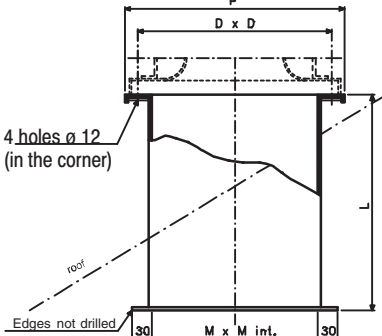
INTENSITY IN SINGLE PHASE 230 V - 50 Hz : VEGA 280 to 355 = 1.7 A / VEGA 400 = 2.6 A / VEGA 450 = 4.5 A

ATEX MODEL : CONSULT US

* Indicative values as per present motor manufacturer's catalogue

The dimensioning of protection devices must be done according to the intensity mentioned on the motor mounted on the unit.

ACCESSORIES FOR ASSEMBLY (EXCEPT ATEX MODEL)

Description		Code									
<p>■ Automatic shutters - F400/120</p>  <p>For fitting on roof ventilator inlets and square ducts</p> <p>Note : the use of this option causes a drop of 10 % in the air flow rate</p>	280 315	2841738	•								
	<p>■ Bedding frame - F400/120</p> 	355 400 450	2841739	•							
		<p>■ Tip up bedding frame for wheel cleaning - F400/120</p> 	500 560	2841741	•						
			<p>■ Roof crossing</p>  <p>Sealing system supplied by the installer</p>	630 710	2841742	•					
				<p>■ Automatic shutters - F400/120</p>	800 900	2845698	•				
					<p>■ Bedding frame - F400/120</p>	280 315	2845688	•			
						<p>■ Tip up bedding frame for wheel cleaning - F400/120</p>	355 400 450	2845689	•		
							<p>■ Roof crossing</p>	500 560	2845690	•	
								<p>■ Automatic shutters - F400/120</p>	630 710	2845691	•
									<p>■ Bedding frame - F400/120</p>	800 900	2845692
<p>■ Tip up bedding frame for wheel cleaning - F400/120</p>										280 315	7009575
	<p>■ Roof crossing</p>									355 400 450	7009577
		<p>■ Automatic shutters - F400/120</p>								500 560	7009578
			<p>■ Bedding frame - F400/120</p>							630 710	7009579
				<p>■ Tip up bedding frame for wheel cleaning - F400/120</p>						280 315	2845687
					<p>■ Roof crossing</p>					355 400 450	2845686
						<p>■ Automatic shutters - F400/120</p>				500 560	2837957
							<p>■ Bedding frame - F400/120</p>			630 710	2837958
								<p>■ Tip up bedding frame for wheel cleaning - F400/120</p>		800 900	-

Acoustic level reduction spectrum

Hz		125	250	500	1000	2000	4000
4 poles	dB	-5	-4	-3	-4	-8	-13
6 poles	dB	-3	-2	-1	-5	-8	-17

Dimensions

V.E.G.A. F400	C	D	G	H	L	M	N	P
280 - 315	310	412	320	350	1100	380	186	484
355 - 400 - 450	425	562	435	465	1145	525	186	629
500 - 560	585	702	595	625	1245	668	186	772
630 - 710	675	889	685	715	1330	850	186	954
800 - 900	845	1017	855	885	-	-	186	-

ACCESSORIES FOR ASSEMBLY (EXCEPT ATEX MODEL)

Description		Code	
■ Fixation frame for cylindrical duct			
	280 315	2845809	•
	355 400 450	2845810	•
	500 560	2845811	•
	630 710	2845812	•
	800 900	–	–
■ Soundproof support			
	280 315	2210052	•
	355 400 450	2210053	•
	500 560	2210054	•
	630 710	2210055	•
	800 900	–	–

Dimensions

V.E.G.A.	D	L1	M	P	R	S	T
280 - 315	412	450	380	484	300	355	452
355 - 400 - 450	562	450	525	629	400	500	602
500 - 560	702	500	668	772	500	630	741
630 - 710	889	500	850	954	630	800	928

Acoustic softening of the sound-proof support

Hz	125	250	500	1000	2000	4000
dB(A)	4	12	20	35	38	25