



Ventilation boxes

Comfort ventilation boxes
Very wide flow rate range :
0.11 to 9.72 m³/s
Standard version with
lacquered finish casing



APPLICATION

V.I.R.T.U.O. ventilation boxes are designed for the ventilation of tertiary or industrial buildings, for clean air at a maximum temperature of 40°C.

They can be installed inside or outside the buildings.

RANGE

7 sizes covering an air flow rate range from 0.11 to 9.72 m³/s at high available pressures.

Sizes 7 - 9 - 10 - 12 are equipped with direct coupling fan

motors.

Sizes 35 - 45 - 56 are equipped with direct drive pulley/belt assembly fan motors.

DESIGN

Casing

– Self-supporting reinforced panels made of grey lacquered (RAL 7024) corrosion-proof galvanised sheet metal.

– Removable panels for access to motor fan unit.

Galvanised sheet steel fan motor unit

Statically and dynamically balanced forward curved blade impeller.

– models 7 - 9 - 10 - 12 - single-phase motor 230 V - 50 Hz direct coupling - flow rate / pressure variation with voltage variator (optional).

– models 35 - 45 - 56 - pulley/belt assembly.

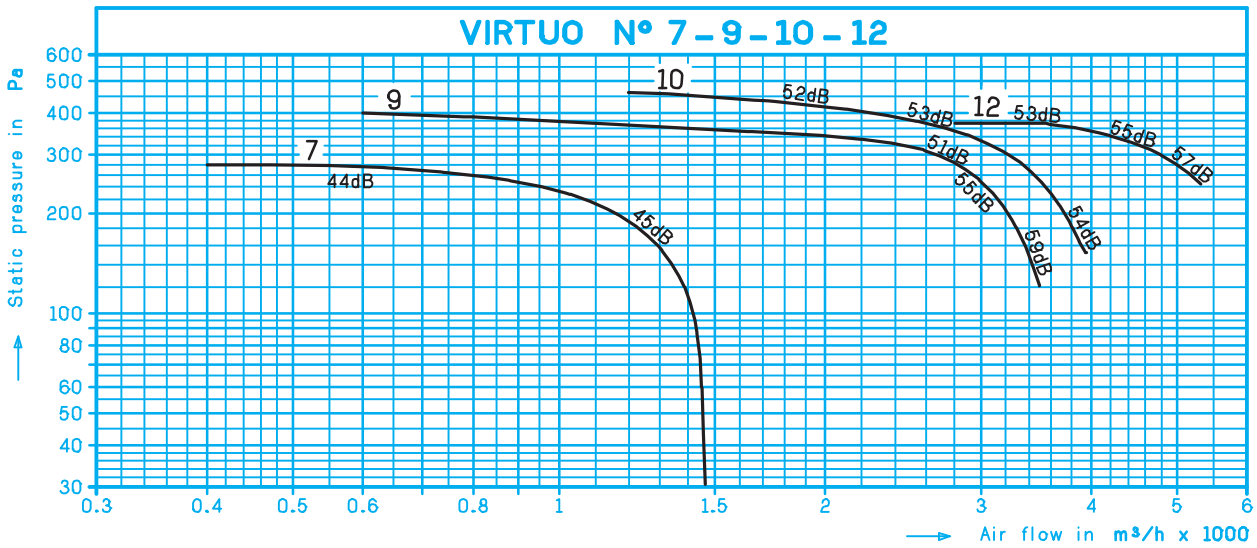
– three-phase motor - 50 Hz.

IP 55 motors - class F - tropicalised with thermal protection.

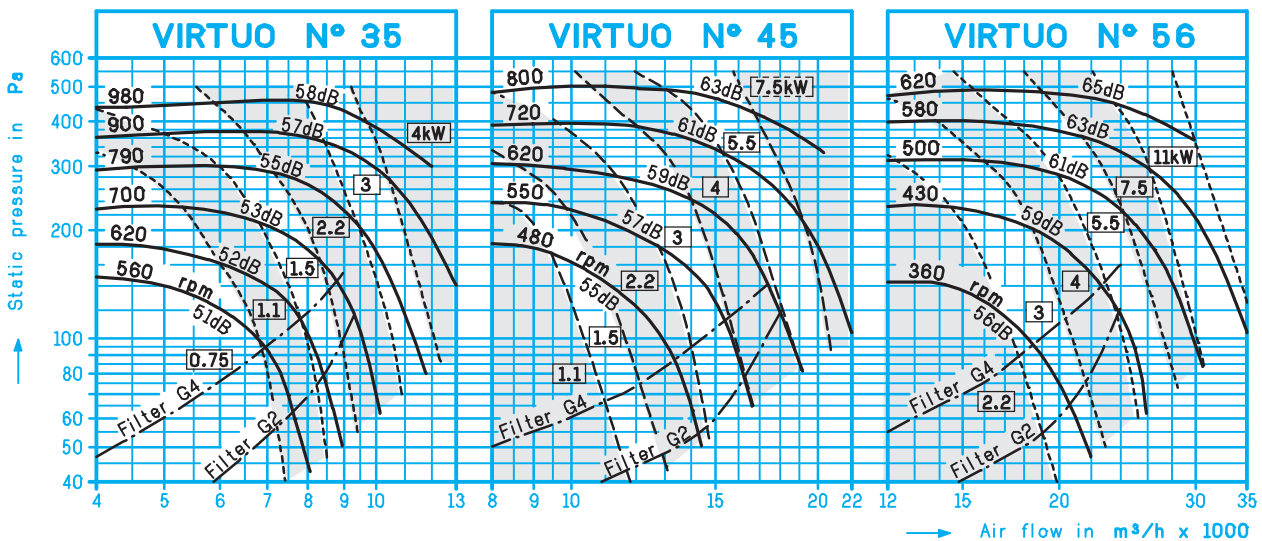
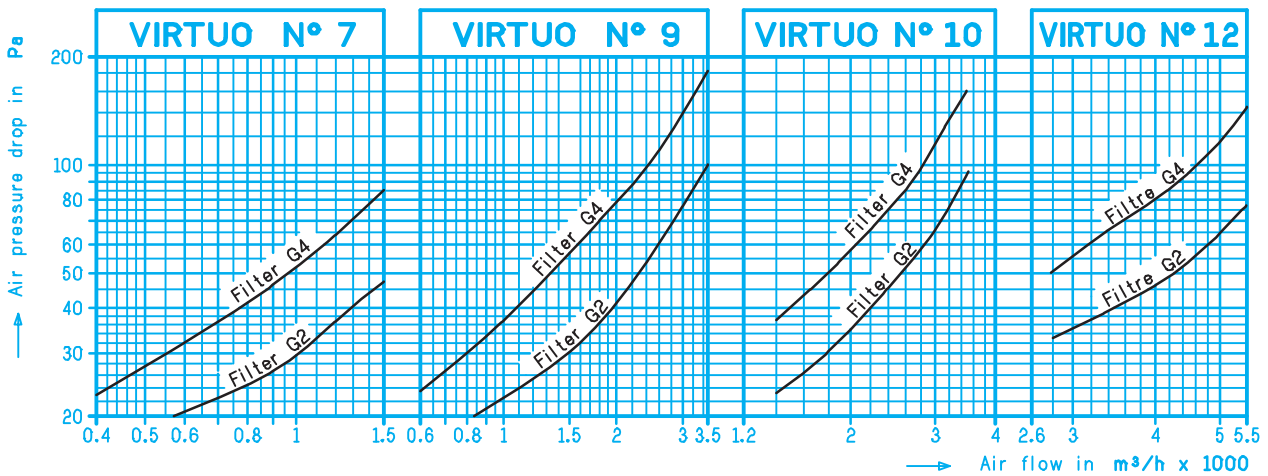
OPTIONS AND ACCESSOIRES

MOUNTING	ELECTRICAL
Anti-vibration mounts	Proximity switch
M0 air intake flexible sleeve	Pressostat
M0 air discharge flexible sleeve	Circuit breaker
Air intake circular sheet metal sleeve	Voltage variator
Air discharge circular sheet metal sleeve	Frequency variator
Rain guard and bird-proof screen on intake side	2-speed control box
Rain guard and bird-proof screen on discharge side	
G2 or G4 filter	

SELECTION CURVES



Air filters pressure drop



Static pressure : pressure level in dB(A) measured at 5 m in a room with average reverberation. Intake and discharge outlets connected. Precision ± 3 dB(A). To obtain the power level, add 15 dB to the values written on the curves.

VENTILATION BOXES

Direct coupling motor fan units

1-speed motor - single phase 230 - 50 Hz - IP 55 - Class F - Tropicalised

V.I.R.T.U.O.	7	9	10	12
Code	B342475	B342483	B342491	B342505
	•	•	•	•

Variable speed drive

Code	0593209	0593210
	•	•

Direct drive fan motor assembly

1-speed motor - 4 poles - Three phase 230/400V* - 50 Hz - IP 55 - Class F - Tropicalised

V.I.R.T.U.O.	Code	Motor power in kW								
		0,75	1,1	1,5	2,2	3	4	5,5	7,5	11
35	B342513	•	•	•	•	•	•	•	•	•
		•	•	•	•	•	•	•	•	•
45	B342564	•	•	•	•	•	•	•	•	•
		•	•	•	•	•	•	•	•	•
56	B342610	•	•	•	•	•	•	•	•	•
		•	•	•	•	•	•	•	•	•

* Three-phase 230 / 400 up to 4 kW or 400 / 700 V from 5.5 kW

Direct drive fan motor assembly

2-speed motor - 4/8 poles - DAHLANDER coupling - Three phase 400V - 50 Hz - IP 54 - Class F - Tropicalised

V.I.R.T.U.O.	Code	Motor power in kW					
		0,75/0,12	1,5/0,25	2,2/0,37	4/0,75	5,5/1,1	7,5/1,5
35	B342750	•	•	•	•	•	•
		•	•	•	•	•	•
45	B342718	•	•	•	•	•	•
		•	•	•	•	•	•
56	B342742	•	•	•	•	•	•
		•	•	•	•	•	•

Supplement for built-in filtration kit

V.I.R.T.U.O.	7	9	10	12	35	45	56
Efficiency G2 65 % ASHRAE gravimetric test	B344656	B344664	B344672	B344680	B344699	B344702	B344710
	•	•	•	•	•	•	•
Efficiency G4 90 % ASHRAE gravimetric test	B344729	B344737	B344745	B344753	B344761	B344788	B344796
	•	•	•	•	•	•	•

Electrical characteristics of motors - MODELS 7 - 9 - 10 - 12

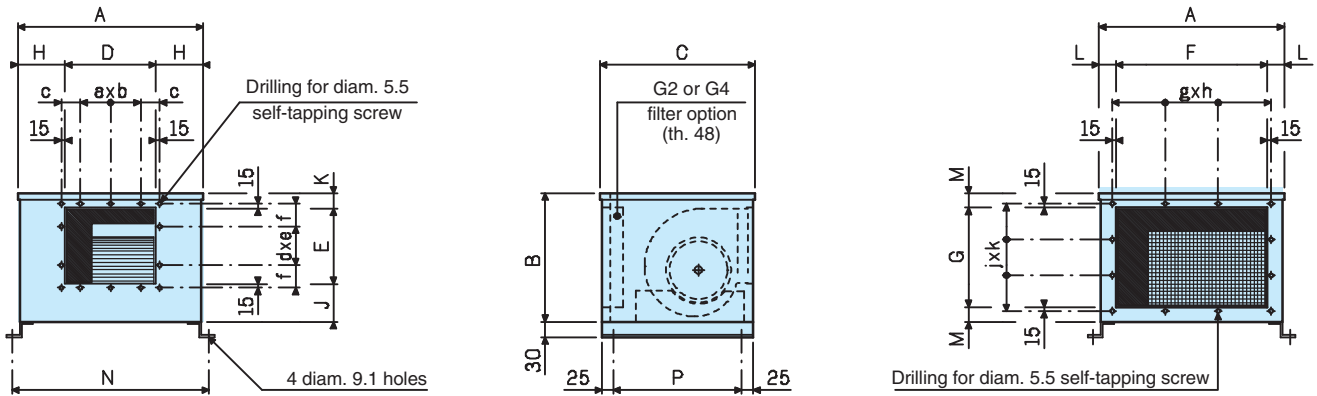
V.I.R.T.U.O.	7	9	10	12
W	147	550	550	736
Polarity	4	4	4	6
IN in A	1,7	4,9	4,6	7,2

Models 35 - 45 - 56

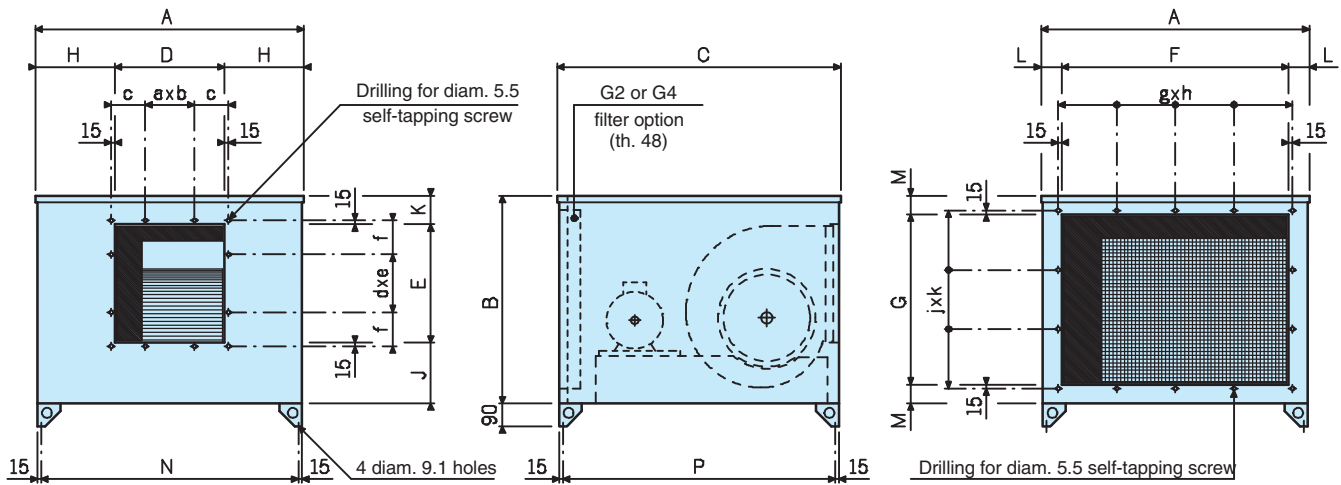
kW	1 speed-motor *											2-speed motor *							
		0.75	1.1	1.5	2.2	3	4	5.5	7.5	11	0.75/0.12		1.5/0.25	2.2/0.37	4/0.75	5.5/1.1	7.5/1.5	11/2.8	
IN in A 4P motor		2	2.5	3.6	5.1	7.2	9.1	11.9	15.2	21.1			2.3/0.9	4/1.5	5.5/2.2	8.9/3.2	11/3.7	15.3/5	21.5/7.7

* Characteristics in 3 ph - 400 V - 50Hz - Indicative values as per motor manufacturer's catalogue.
Dimensioning of protection devices must be done according to the rating affixed on the motor mounted on the unit.

DIMENSIONS

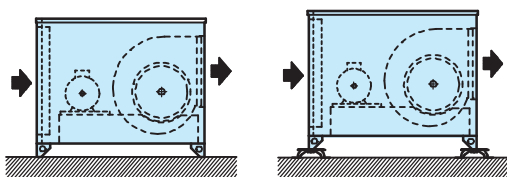


V.I.R.T.U.O.	A	B	C	D	E	F	G	H	J	K	L	M	N	P	a	b	c	d	e	f	g	h	j	k	Mass maxi kg
7	520	400	500	240	240	420	300	140	93.5	66.5	50	50	546	450	1	270	0	1	270	0	2	225	2	165	25
9	605	455	550	299	299	505	355	153	99	57	50	50	631	500	0	0	164.5	0	0	164.5	2	267.5	2	192.5	34
10	700	505	600	333	333	600	400	183.5	116.5	55.5	50	52.5	726	550	0	0	181.5	0	0	181.5	2	315	2	215	40
12	800	600	700	415	415	700	500	192.5	119.5	65.5	50	50	826	650	1	125	160	1	125	160	3	243.3	2	265	61



V.I.R.T.U.O.	A	B	C	D	E	F	G	H	J	K	L	M	N	P	a	b	c	d	e	f	g	h	j	k	Mass maxi kg
35	1000	700	1100	464	464	900	600	268	181	55	50	50	970	1070	1	125	184.5	1	125	184.5	3	310	3	210	112
45	1400	1100	1300	574	574	1200	900	413	312.5	213.5	100	100	1370	1270	1	250	177	1	250	177	4	307.5	3	310	195
56	1400	1400	1500	724	724	1200	1200	338	362.5	313.5	100	100	1370	1470	3	125	189.5	3	125	189.5	4	307.3	4	307.5	285

Ground fixation

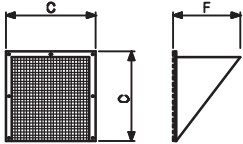
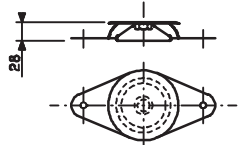


Note : only the unit fixed on the ground can be equipped with anti-vibration mounts. The units must always be installed with the fan axis in the horizontal position.

ACCESSORIES

V.I.R.T.U.O.		7	9	10	12	35	45	56
Inlet M0 flexible sleeve 	code	B355909	B355917	B355925	B355933	B355941	B355968	B355976
		•	•	•	•	•	•	•
Discharge M0 flexible sleeve 	code	B355984	B355992	B356018	B356026	B356034	B356042	B356050
		•	•	•	•	•	•	•
Inlet metal sheet circular sleeve 	code	2844895	2844896	2844897	2844898	2844899	2844900	2844901
		•	•	•	•	•	•	•
Inlet circular M0 flexible sleeve 	code	B356069	B356077	B356085	B356093	B356107	B356115	B356123
		•	•	•	•	•	•	•
Rain guard and screen on the air intake 	code	2844877	2844878	2844879	2844880	2844881	2844882	2844883
		•	•	•	•	•	•	•

ACCESSORIES

V.I.R.T.U.O.		7	9	10	12	35	45	56
Rain guard and screen on the air intake 	code	2844884	2844886	2844887	2844889	2844890	2844892	2844894
		•	•	•	•	•	•	•
Anti-vibration mounts (per set) 	code	0218027 x 4	0218027 x 4	0218027 x 4	0218028 x 4	0218031 x 4	0218032 x 4	0218032 x 4
		•	•	•	•	•	•	•
Dimensions	A	480	565	660	760	960	1260	1260
	B	360	415	460	560	660	960	1260
	C	300	359	393	475	514	634	784
	D	250	355	400	500	560	900	1120
	E	260	290	310	365	415	560	710
	F	220	270	290	350	410	495	610